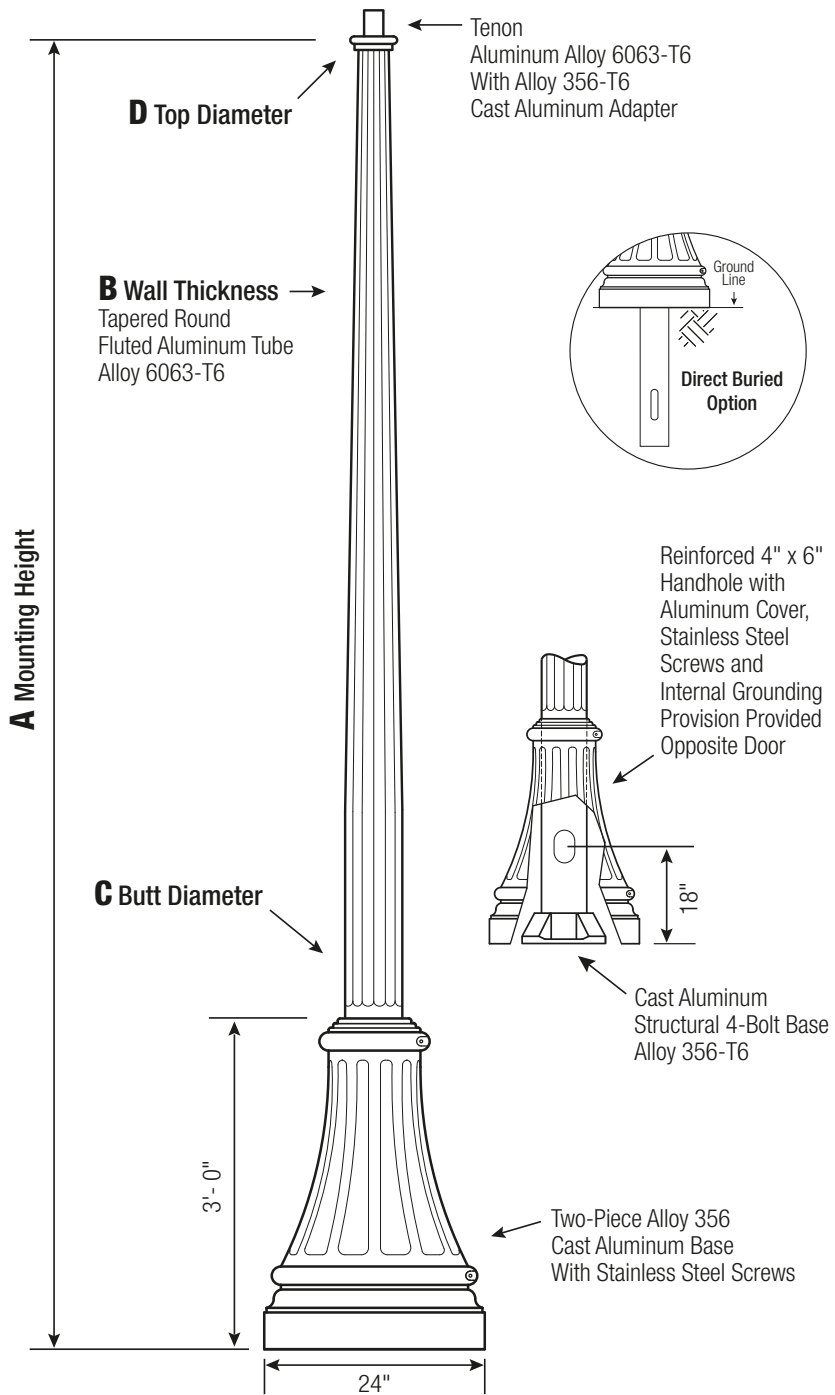


# YORK 24 Non-Floral CLAMSHELL - TAPERED FLUTED ALUMINUM POLE



Powder Coated Finish per Customer Specification.

C BUTT DIA.	D TOP DIA.	F BOLT CIR. DIA.	G BASE DIA.	H BOLT PROJ.	I BOLT SIZE
7	Varies	10 - 11	10.5	2.75	1 x 36 x 4
8	Varies	11 - 12	11.25	2.75	1 x 36 x 4
9	Varies	12.5 - 14	12.75	2.75	1 x 36 x 4

Dimensions in Inches

## Clamshell Base

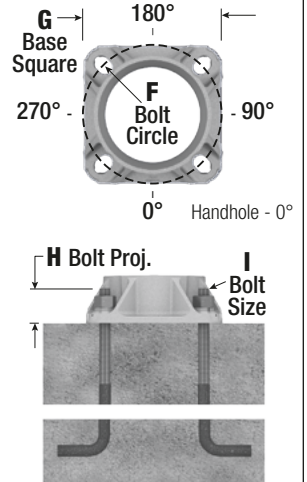
Cast Aluminum, 2-Piece Decorative Base of Alloy 356 per ASTM B26 or B108 with stainless steel attaching hardware.

## Pole

The pole shaft will be constructed of seamless extruded tube of 6063 Aluminum Alloy per the requirements of ASTM B221. The 4-Bolt Cast Aluminum Base Flange will be of Alloy 356-T6. The pole shaft shall be joined to the base by means of a complete circumferential weld in accordance with AWS Specification D1.2. The shaft assembly shall be full-length heat treated after base weld to produce a T6 temper.

## Anchorage

Anchorage Kit will include four (4) L-shaped Steel Anchor Bolts conforming to AASHTO M314-90 Grade 55. Ten inches (10") of threaded end will be galvanized per ASTM A153. Kits will contain four (4) Hex Nuts, four (4) Lock Washers, and four (4) Flat Washers (all components Galvanized Steel). A bolt circle template will be provided



**NOTE:** YORK 24 Non-Floral pole options may be specified in designs utilizing Direct Buried anchorage.

## Handhole

7"+ Butt Diameters - Reinforced, 4" x 6" curved Cast Aluminum Frame (Alloy 356-T6) with Aluminum Door and two (2) SS Hex Head Screws. Reinforced Frame will contain a tapped 3/8"-16NC Grounding Provision.

## Vibration Damper

When determined necessary by Hapco, a Vibration Damper will be factory-installed inside the pole shaft. Customer specification of the damper is available.



**WARNING:** Do not install light pole without luminaire.

www.hapco.com



1 OF 2

# YORK 24 Non-Floral

## CLAMSHELL TAPERED FLUTED ALUMINUM POLE

A MTG. HGT.	B WALL THICKNESS	C BUTT DIA.	TOTAL LUM. WEIGHT	MAXIMUM EPA						CATALOG NUMBER*
				90	100	110	120	130	140	
8	0.125	7	100	52.6	42.3	34.5	28.7	24.2	20.7	Y4N08B7-4-TF**.**
	0.188	7	100	78.7	63.5	51.9	43.4	36.7	31.5	Y4N08D7-4-TF**.**
	0.188	8	100	104.2	84.1	68.9	57.7	48.9	42.0	Y4N08D8-4-TF**.**
	0.188	9	100	132.4	107.0	87.8	73.5	62.4	53.5	Y4N08D9-4-TF**.**
10	0.125	7	100	41.3	33.1	26.7	22.1	18.6	15.8	Y4N10B7-4-TF**.**
	0.188	7	100	62.2	50.1	40.7	33.9	28.6	24.4	Y4N10D7-4-TF**.**
	0.250	7	100	81.6	65.7	53.6	44.8	37.9	32.4	Y4N10F7-4-TF**.**
	0.188	8	100	82.8	66.7	54.4	45.4	38.4	32.9	Y4N10D8-4-TF**.**
	0.250	8	100	108.8	87.7	71.8	60.0	50.8	43.6	Y4N10F8-4-TF**.**
	0.188	9	100	105.8	85.3	69.7	58.3	49.3	42.2	Y4N10D9-4-TF**.**
12	0.125	7	100	33.5	26.7	21.3	17.5	14.6	12.2	Y4N12B7-4-TF**.**
	0.188	7	100	50.8	40.8	32.9	27.3	22.9	19.5	Y4N12D7-4-TF**.**
	0.250	7	100	67.0	53.8	43.7	36.3	30.6	26.1	Y4N12F7-4-TF**.**
	0.188	8	100	68.1	54.7	44.4	36.9	31.1	26.5	Y4N12D8-4-TF**.**
	0.250	8	100	89.7	72.2	58.8	49.1	41.5	35.4	Y4N12F8-4-TF**.**
	0.312	8	100	110.2	88.8	72.6	60.6	51.3	43.9	Y4N12G8-4-TF**.**
	0.188	9	100	87.3	70.3	57.2	47.6	40.2	34.3	Y4N12D9-4-TF**.**
	0.250	9	100	115.3	92.9	75.9	63.4	53.6	45.9	Y4N12F9-4-TF**.**
	0.250	9	100	97.7	78.6	63.9	53.2	44.9	38.3	Y4N14F9-4-TF**.**
14	0.125	7	100	27.6	21.9	17.2	14.0	11.5	9.6	Y4N14B7-4-TF**.**
	0.188	7	100	42.1	33.6	26.9	22.1	18.5	15.6	Y4N14D7-4-TF**.**
	0.250	7	100	55.9	44.8	36.1	29.9	25.1	21.3	Y4N14F7-4-TF**.**
	0.312	7	100	68.9	55.3	44.8	37.2	31.3	26.7	Y4N14G7-4-TF**.**
	0.188	8	100	57.2	45.8	36.9	30.6	25.6	21.7	Y4N14D8-4-TF**.**
	0.250	8	100	75.8	60.8	49.3	41.0	34.5	29.4	Y4N14F8-4-TF**.**
	0.312	8	100	93.3	75.1	61.1	50.9	43.0	36.7	Y4N14G8-4-TF**.**
	0.188	9	100	73.8	59.2	47.9	39.8	33.5	28.5	Y4N14D9-4-TF**.**
	0.250	9	100	97.7	78.6	63.9	53.2	44.9	38.3	Y4N14F9-4-TF**.**
	0.250	9	100	84.3	67.6	54.7	45.4	38.2	32.5	Y4N16F9-4-TF**.**
16	0.125	7	100	22.6	17.7	13.6	11.0	8.9	7.3	Y4N16B7-4-TF**.**
	0.188	7	100	35.6	28.2	22.3	18.3	15.1	12.7	Y4N16D7-4-TF**.**
	0.250	7	100	47.6	38.0	30.4	25.0	20.9	17.7	Y4N16F7-4-TF**.**
	0.312	7	100	59.0	47.2	38.0	31.4	26.3	22.3	Y4N16G7-4-TF**.**
	0.188	8	100	48.5	38.7	30.9	25.4	21.2	17.9	Y4N16D8-4-TF**.**
	0.250	8	100	64.7	51.8	41.7	34.5	29.0	24.6	Y4N16F8-4-TF**.**
	0.312	8	100	80.0	64.2	52.0	43.2	36.3	30.9	Y4N16G8-4-TF**.**
	0.188	9	100	63.4	50.7	40.7	33.7	28.2	23.9	Y4N16D9-4-TF**.**
	0.250	9	100	84.3	67.6	54.7	45.4	38.2	32.5	Y4N16F9-4-TF**.**
	0.250	9	100	71.4	57.1	45.9	38.0	31.9	27.0	Y4N18F9-4-TF**.**
18	0.125	7	100	18.4	14.3	10.7	8.4	6.7	5.4	Y4N18B7-4-TF**.**
	0.188	7	100	29.6	23.3	18.2	14.7	12.1	10.0	Y4N18D7-4-TF**.**
	0.250	7	100	40.0	31.8	25.1	20.6	17.1	14.3	Y4N18F7-4-TF**.**
	0.312	7	100	49.8	39.7	31.7	26.1	21.8	18.4	Y4N18G7-4-TF**.**
	0.188	8	100	40.7	32.3	25.5	20.9	17.3	14.5	Y4N18D8-4-TF**.**
	0.250	8	100	54.7	43.7	34.9	28.8	24.0	20.3	Y4N18F8-4-TF**.**
	0.312	8	100	68.0	54.4	43.8	36.2	30.4	25.8	Y4N18G8-4-TF**.**
	0.188	9	100	53.3	42.5	33.9	27.9	23.2	19.5	Y4N18D9-4-TF**.**
20	0.125	7	100	15.0	11.4	8.3	6.4	4.9	3.8	Y4N20B7-4-TF**.**
	0.188	7	100	24.8	19.4	14.9	11.9	9.6	7.8	Y4N20D7-4-TF**.**
	0.250	7	100	33.9	26.8	21.0	17.0	14.0	11.6	Y4N20F7-4-TF**.**
	0.188	8	100	34.5	27.3	21.2	17.2	14.2	11.7	Y4N20D8-4-TF**.**
	0.250	8	100	46.8	37.2	29.5	24.1	20.0	16.8	Y4N20F8-4-TF**.**
	0.312	8	100	58.5	46.6	37.3	30.7	25.6	21.6	Y4N20G8-4-TF**.**
	0.188	9	100	45.6	36.2	28.5	23.3	19.3	16.1	Y4N20D9-4-TF**.**
	0.250	9	100	61.4	49.0	39.1	32.2	26.9	22.7	Y4N20F9-4-TF**.**
25	0.188	8	100	23.3	18.0	13.4	10.5	8.3	6.6	Y4N25D8-4-TF**.**
	0.250	8	100	32.6	25.5	19.6	15.7	12.8	10.4	Y4N25F8-4-TF**.**
	0.312	8	100	41.4	32.7	25.5	20.7	17.0	14.1	Y4N25G8-4-TF**.**
	0.188	9	100	31.7	24.8	18.8	15.1	12.2	9.9	Y4N25D9-4-TF**.**
	0.250	9	100	43.6	34.5	26.8	21.8	17.9	14.8	Y4N25F9-4-TF**.**
30	0.188	9	100	22.2	17.0	12.2	9.3	7.2	5.5	Y4N30D9-4-TF**.**
	0.250	9	100	31.7	24.7	18.5	14.7	11.7	9.4	Y4N30F9-4-TF**.**

**EPA Notes:** Effective Projected Area (EPA) in square feet. EPA's calculated using wind velocity (mph) indicated in accordance with 2015 AASHTO LRFD (7th Edition) using a 50-year design life. Maximum EPA is based on the luminaire weight shown. Increased luminaire weight may reduce maximum EPA. If weight is exceeded, or if other design life or code is required, please consult the factory.

\*4-Bolt Base Anchorage shown. For direct buried design replace -4 in catalog number with -E.

### Catalog Number System

The catalog number for Hapco poles utilizes the following identification system.



### Catalog Number Example -

**Y4N 25 G 8 - 4 - TF16 - BA**

YORK 24 Non-Floral Clamshell Base, 25' Mounting Height, .312" Wall Thickness, 8" Butt Diameter, 4-Bolt Base, Tapered Fluted Shaft - 16-Flute, Black Powder Coat Finish

### Wall Thickness

B = .125"  
D = .188"  
F = .250"  
G = .312"

### Butt Dia.

7 = 7"  
8 = 8"  
9 = 9"

### Anchorage

4 = 4-Bolt Base  
E = Direct Buried

### Shaft Style

TF04 = Tapered Fluted - 4-Flute  
TF08 = Tapered Fluted - 8-Flute  
TF16 = Tapered Fluted - 16-Flute

### Powder Coat Finish

BA - Black Powder Coat  
BH - White Powder Coat  
BM - Dark Bronze Powder Coat  
BV - Dark Green Powder Coat  
GC - Gray Powder Coat  
SC - Special Colors\*  
\* Provide RAL # or Sample Color Chip

### Mounting Options

#### Tenon Mount

For Tenon Mount applications specify both Tenon diameter and length.



### Flute Options



### Tapered Fluted Mounting Heights

Butt Diameter	TF-4 Up To	TF-8 Up To	TF-16 Up To
7"	14'	14'	20'
8"	20'	20'	25'
9"	30'	30'	30'

### Direct Buried

Direct Buried Mounting Heights may vary. Contact Hapco for maximum heights available.

CATALOG NUMBER:	QUANTITY:
CUSTOMER NAME:	
PROJECT:	LOCATION:
NOTES:	