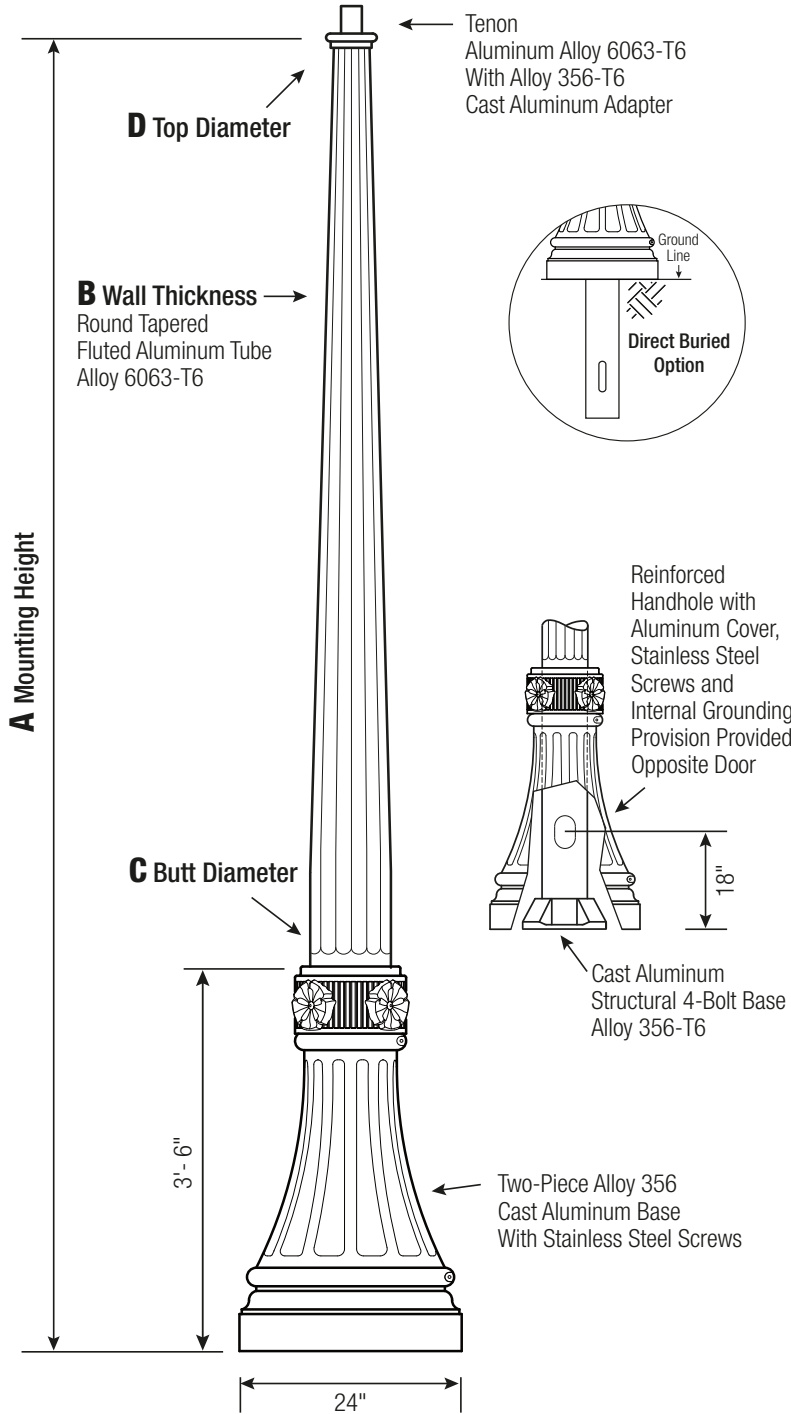


# YORK 24

## CLAMSHELL - TAPERED FLUTED ALUMINUM POLE



Powder Coated Finish per Customer Specification.

C BUTT DIA.	D TOP DIA.	F BOLT CIR. DIA.	G BASE DIA.	H BOLT PROJ.	I BOLT SIZE
6 (Up To .188")	Varies	9 - 10	9.75	2.75	.75 x 30 x 3
6 (.250" +)	Varies	9 - 10	9.75	2.75	1 x 36 x 4
7	Varies	10 - 11	10.5	2.75	1 x 36 x 4
8	Varies	11 - 12	11.25	2.75	1 x 36 x 4
9	Varies	12.5 - 14	12.75	2.75	1 x 36 x 4

Dimensions in Inches

### Clamshell Base

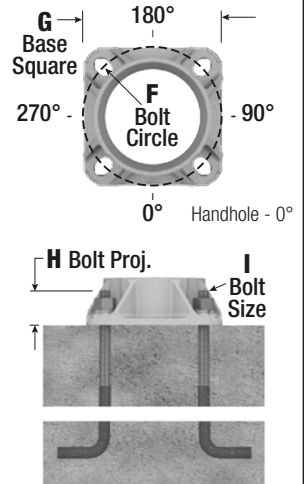
Cast Aluminum, 2-Piece Decorative Base of Alloy 356 per ASTM B26 or B108 with stainless steel attaching hardware.

### Pole

The pole shaft will be constructed of seamless extruded tube of 6063 Aluminum Alloy per the requirements of ASTM B221. The 4-Bolt Cast Aluminum Base Flange will be of Alloy 356-T6. The pole shaft shall be joined to the base by means of a complete circumferential weld in accordance with AWS Specification D1.2. The shaft assembly shall be full-length heat treated after base weld to produce a T6 temper.

### Anchorage

Anchorage Kit will include four (4) L-shaped Steel Anchor Bolts conforming to AASHTO M314-90 Grade 55. Ten inches (10") of threaded end will be galvanized per ASTM A153. Kits will contain four (4) Hex Nuts, four (4) Lock Washers, and four (4) Flat Washers (all components Galvanized Steel). A bolt circle template will be provided



**NOTE:** YORK 24 pole options may be specified in designs utilizing Direct Buried anchorage.

### Handhole

6" Butt Diameter - Reinforced, 3" x 5" curved Cast Aluminum Frame (Alloy 356-T6) with Aluminum Door and two (2) SS Hex Head Screws. A Grounding Provision incorporating a 3/8" diameter hole is provided opposite the Handhole.

7"+ Butt Diameters - Reinforced, 4" x 6" curved Cast Aluminum Frame (Alloy 356-T6) with Aluminum Door and two (2) SS Hex Head Screws. Reinforced Frame will contain a tapped 3/8"-16NC Grounding Provision.

### Vibration Damper

When determined necessary by Hapco, a Vibration Damper will be factory-installed inside the pole shaft. Customer specification of the damper is available.



**WARNING:** Do not install light pole without luminaire.

www.hapco.com



1 OF 2

A MTG. HGT.	B WALL THICKNESS	C BUTT DIA.	TOTAL LUM. WEIGHT	MAXIMUM EPA						CATALOG NUMBER*
				90	100	110	120	130	140	
8	0.125	6	100	38.0	30.5	24.7	20.5	17.3	14.7	Y4C08B6-4-TF**.**
	0.188	6	100	56.6	45.6	37.2	31.0	26.2	22.4	Y4C08D6-4-TF**.**
	0.125	7	100	52.6	42.3	34.5	28.7	24.3	20.7	Y4C08B7-4-TF**.**
	0.188	7	100	78.7	63.5	51.9	43.4	36.8	31.5	Y4C08D7-4-TF**.**
	0.188	8	100	104.2	84.1	68.9	57.7	48.9	42.0	Y4C08D8-4-TF**.**
10	0.125	6	100	29.5	23.6	18.9	15.5	13.0	10.9	Y4C10B6-4-TF**.**
	0.188	6	100	44.5	35.7	28.9	24.0	20.2	17.2	Y4C10D6-4-TF**.**
	0.125	7	100	41.4	33.1	26.7	22.2	18.6	15.8	Y4C10B7-4-TF**.**
	0.188	7	100	62.2	50.1	40.7	33.9	28.6	24.4	Y4C10D7-4-TF**.**
	0.188	8	100	82.8	66.7	54.5	45.4	38.4	32.9	Y4C10D8-4-TF**.**
12	0.125	6	100	23.3	18.4	14.5	11.8	9.7	8.1	Y4C12B6-4-TF**.**
	0.188	6	100	35.7	28.5	22.9	18.8	15.7	13.3	Y4C12D6-4-TF**.**
	0.125	7	100	33.5	26.7	21.3	17.5	14.6	12.2	Y4C12B7-4-TF**.**
	0.188	7	100	50.9	40.8	32.9	27.3	22.9	19.5	Y4C12D7-4-TF**.**
	0.250	7	100	67.0	53.8	43.7	36.4	30.7	26.1	Y4C12F7-4-TF**.**
14	0.125	6	100	18.8	14.7	11.4	9.1	7.4	6.1	Y4C14B6-4-TF**.**
	0.188	6	100	29.5	23.3	18.5	15.1	12.5	10.5	Y4C14D6-4-TF**.**
	0.125	7	100	27.6	21.9	17.2	14.0	11.5	9.6	Y4C14B7-4-TF**.**
	0.188	7	100	42.1	33.6	26.9	22.2	18.5	15.6	Y4C14D7-4-TF**.**
	0.250	7	100	55.9	44.8	36.1	29.9	25.1	21.3	Y4C14F7-4-TF**.**
16	0.125	6	100	15.3	11.8	9.0	7.0	5.5	4.4	Y4C16B6-4-TF**.**
	0.188	6	100	24.6	19.3	15.2	12.2	10.0	8.2	Y4C16D6-4-TF**.**
	0.125	7	100	22.6	17.8	13.7	11.0	8.9	7.3	Y4C16B7-4-TF**.**
	0.188	7	100	35.6	28.3	22.3	18.3	15.2	12.7	Y4C16D7-4-TF**.**
	0.250	7	100	47.6	38.0	30.4	25.1	20.9	17.7	Y4C16F7-4-TF**.**
18	0.125	6	100	12.2	9.2	6.8	5.1	3.9	2.9	Y4C18B6-4-TF**.**
	0.188	6	100	20.2	15.7	12.2	9.6	7.7	6.2	Y4C18D6-4-TF**.**
	0.125	7	100	18.4	14.3	10.7	8.5	6.7	5.4	Y4C18B7-4-TF**.**
	0.188	7	100	29.6	23.3	18.2	14.8	12.1	10.0	Y4C18D7-4-TF**.**
	0.250	7	100	40.0	31.8	25.2	20.6	17.1	14.3	Y4C18F7-4-TF**.**
20	0.125	6	80	9.9	7.3	5.2	3.7	2.6	1.9	Y4C20B6-4-TF**.**
	0.188	6	100	16.7	12.8	9.7	7.5	5.9	4.6	Y4C20D6-4-TF**.**
	0.250	6	100	23.1	18.0	14.0	11.2	9.0	7.3	Y4C20F6-4-TF**.**
	0.125	7	100	15.0	11.5	8.3	6.4	4.9	3.8	Y4C20B7-4-TF**.**
	0.188	7	100	24.8	19.4	14.9	11.9	9.6	7.9	Y4C20D7-4-TF**.**
25	0.250	7	100	33.9	26.8	21.0	17.0	14.0	11.6	Y4C20F7-4-TF**.**
	0.188	8	100	34.6	27.3	21.3	17.3	14.2	11.8	Y4C20D8-4-TF**.**
	0.250	8	100	46.8	37.2	29.5	24.2	20.1	16.8	Y4C20F8-4-TF**.**
	0.312	8	100	58.5	46.7	37.3	30.7	25.6	21.6	Y4C20G8-4-TF**.**
	30	0.188	8	100	23.3	18.1	13.4	10.5	8.4	6.6
0.250		8	100	32.6	25.6	19.6	15.7	12.8	10.5	Y4C25F8-4-TF**.**
0.312		8	100	41.4	32.7	25.5	20.7	17.0	14.1	Y4C25G8-4-TF**.**
0.188		9	100	31.7	24.8	18.9	15.1	12.2	9.9	Y4C25D9-4-TF**.**
0.250		9	100	43.7	34.5	26.9	21.8	17.9	14.8	Y4C25F9-4-TF**.**
30	0.188	9	100	22.3	17.0	12.2	9.4	7.2	5.5	Y4C30D9-4-TF**.**
	0.250	9	100	31.8	24.7	18.5	14.7	11.8	9.4	Y4C30F9-4-TF**.**

**EPA Notes:** Effective Projected Area (EPA) in square feet. EPA's calculated using wind velocity (mph) indicated in accordance with 2015 AASHTO LRFD (7th Edition) using a 50-year design life. Maximum EPA is based on the luminaire weight shown. Increased luminaire weight may reduce maximum EPA. If weight is exceeded, or if other design life or code is required, please consult the factory.

\*4-Bolt Base Anchorage shown. For direct buried design replace -4 in catalog number with -E.

**Catalog Number System**

The catalog number for Hapco poles utilizes the following identification system.



**Catalog Number Example -**

**Y4C 25 G 8 - 4 - TF16 - BA**

YORK 24 Clamshell Base, 25' Mounting Height, .312" Wall Thickness, 8" Butt Diameter, 4-Bolt Base, Tapered Fluted Shaft - 16-Flute, Black Powder Coat Finish

Wall Thickness	Butt Dia.	Anchorage
B = .125"	6 = 6"	4 = 4-Bolt Base
D = .188"	7 = 7"	E = Direct Buried
F = .250"	8 = 8"	
G = .312"	9 = 9"	

**Shaft Style**

- TF04 = Tapered Fluted – 4-Flute
- TF08 = Tapered Fluted – 8-Flute
- TF12 = Tapered Fluted – 12-Flute
- TF16 = Tapered Fluted – 16-Flute

**Powder Coat Finish**

- BA - Black Powder Coat
  - BH - White Powder Coat
  - BM - Dark Bronze Powder Coat
  - BV - Dark Green Powder Coat
  - GC - Gray Powder Coat
  - SC - Special Colors\*
- \*Provide RAL # or Sample Color Chip

**Mounting Options**

**Tenon Mount**  
For Tenon Mount applications specify both Tenon diameter and length.



**Flute Options**



Tapered Fluted Mounting Heights				
Butt Diameter	TF-4 Up To	TF-8 Up To	TF-12 Up To	TF-16 Up To
6"	N/A	N/A	20'	20'
7"	14'	14'	N/A	20'
8"	20'	20'	N/A	25'
9"	30'	30'	N/A	30'

**Direct Buried**

Direct Buried Mounting Heights may vary. Contact Hapco for maximum heights available.

CATALOG NUMBER:	QUANTITY:
CUSTOMER NAME:	
PROJECT:	LOCATION:
NOTES:	