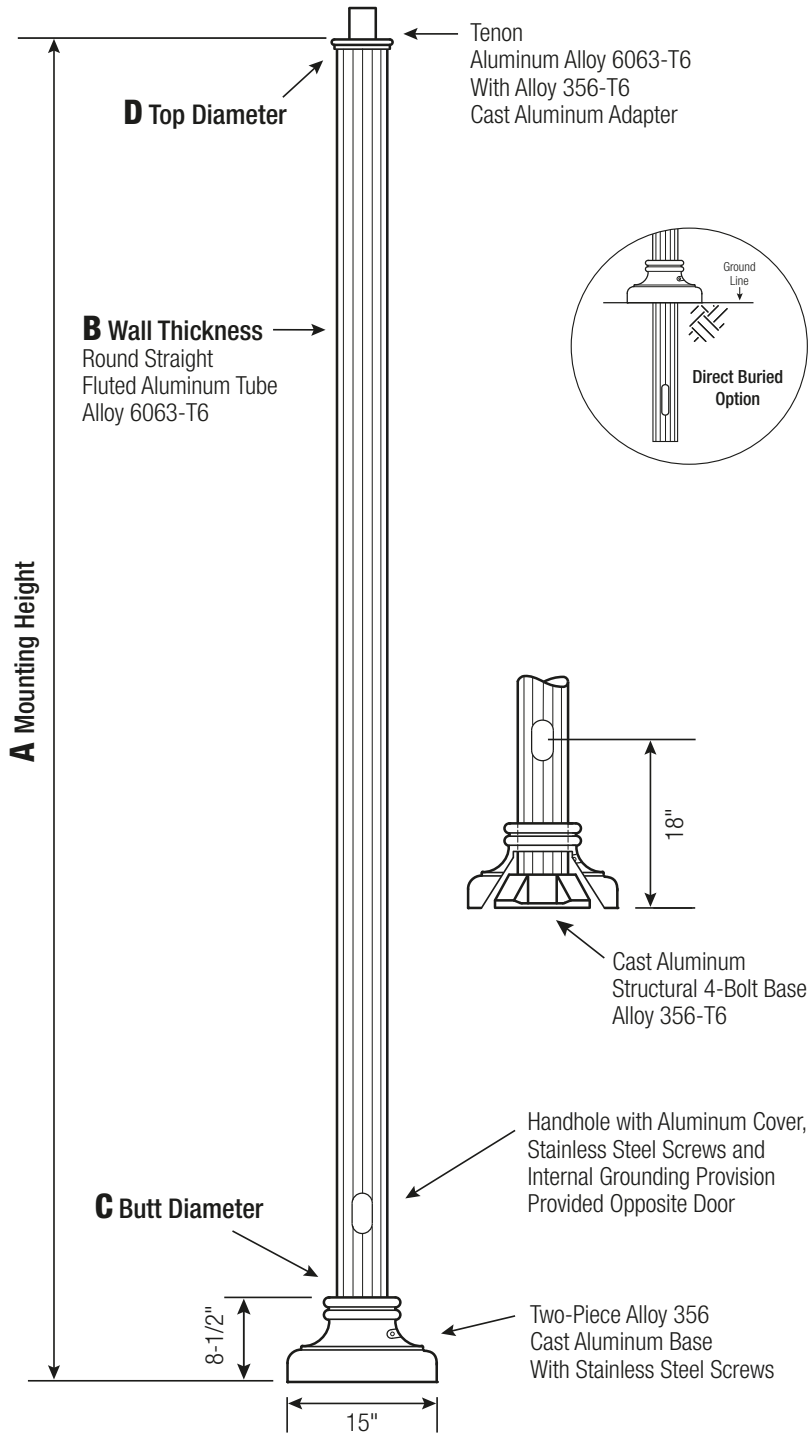


JEFFERSON 15

CLAMSHELL - STRAIGHT FLUTED ALUMINUM POLE



Powder Coated Finish per Customer Specification.

C BUTT DIA.	D TOP DIA.	F BOLT CIR. DIA.	G BASE DIA.	H BOLT PROJ.	I BOLT SIZE
4	4	6.5 - 8	7.5	2	.75 x 17 x 3
5	5	7.5 - 8	7.5	2	.75 x 17 x 3
6 (Up To .188")	6	9 - 10	9.75	2.75	.75 x 30 x 3
6 (.250" +)	6	9 - 10	9.75	2.75	1 x 36 x 4

Dimensions in Inches

Clamshell Base

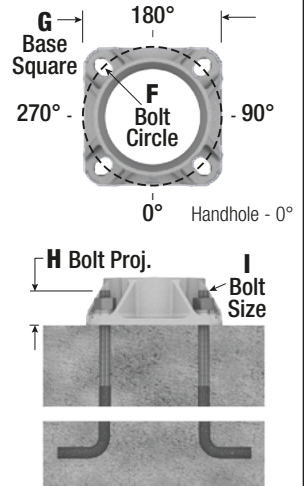
Cast Aluminum, 2-Piece Decorative Base of Alloy 356 per ASTM B26 or B108 with stainless steel attaching hardware.

Pole

The pole shaft will be constructed of seamless extruded tube of 6063 Aluminum Alloy per the requirements of ASTM B221. The 4-Bolt Cast Aluminum Base Flange will be of Alloy 356-T6. The pole shaft shall be joined to the base by means of a complete circumferential weld in accordance with AWS Specification D1.2. The shaft assembly shall be full-length heat treated after base weld to produce a T6 temper.

Anchorage

Anchorage Kit will include four (4) L-shaped Steel Anchor Bolts conforming to AASHTO M314-90 Grade 55. Ten inches (10") of threaded end will be galvanized per ASTM A153. Kits will contain four (4) Hex Nuts, four (4) Lock Washers, and four (4) Flat Washers (all components Galvanized Steel). A bolt circle template will be provided



NOTE: All JEFFERSON 15 pole options may be specified in designs utilizing Direct Buried anchorage.

Handhole

4"-5" Butt Diameters - 2" x 4" Handhole with curved Lap Style Aluminum Door and two (2) SS Self-Tapping Attaching Screws. A Grounding Provision incorporating a tapped 1/4"-20NC hole is provided.
6" Butt Diameter - Reinforced, 3" x 5" curved Cast Aluminum Frame (Alloy 356-T6) with Aluminum Door and two (2) SS Hex Head Screws. A Grounding Provision incorporating a 3/8" diameter hole is provided opposite the Handhole.

Vibration Damper

When determined necessary by Hapco, a Vibration Damper will be factory-installed inside the pole shaft. Customer specification of the damper is available.



WARNING: Do not install light pole without luminaire.

www.hapco.com



1 OF 2

A MTG. HGT.	B WALL THICKNESS	C BUTT DIA.	TOTAL LUM. WEIGHT	MAXIMUM EPA						CATALOG NUMBER*
				90	100	110	120	130	140	
8	0.125	4	100	16.3	12.9	10.3	8.4	7.0	5.8	J5C08B4-4-SF12-**
	0.125	5	100	25.2	20.1	16.2	13.3	11.1	9.4	J5C08B5-4-SF12-**
10	0.125	4	100	11.8	9.2	7.3	5.8	4.7	3.8	J5C10B4-4-SF12-**
	0.188	4	100	17.6	13.9	11.1	9.0	7.4	6.1	J5C10D4-4-SF12-**
	0.125	5	100	19.2	15.2	12.0	9.7	8.0	6.7	J5C10B5-4-SF12-**
	0.188	5	100	34.0	27.2	22.0	18.1	15.2	12.8	J5C10D5-4-SF12-**
12	0.125	4	95	8.9	6.7	5.2	4.0	3.0	2.3	J5C12B4-4-SF12-**
	0.188	4	100	13.6	10.6	8.3	6.6	5.3	4.3	J5C12D4-4-SF12-**
	0.125	5	100	14.7	11.4	8.8	7.0	5.6	4.6	J5C12B5-4-SF12-**
	0.188	5	100	27.0	21.4	17.1	13.9	11.6	9.7	J5C12D5-4-SF12-**
	0.125	6	100	23.2	18.4	14.4	11.7	9.7	8.0	J5C12B6-4-SF12-**
	0.188	6	100	35.5	28.3	22.7	18.7	15.6	13.2	J5C12D6-4-SF12-**
14	0.125	4	65	6.9	5.0	3.7	2.7	1.9	1.3	J5C14B4-4-SF12-**
	0.188	4	100	10.6	8.1	6.2	4.7	3.6	2.8	J5C14D4-4-SF12-**
	0.125	5	100	11.4	8.7	6.5	4.9	3.9	3.0	J5C14B5-4-SF12-**
	0.188	5	100	21.9	17.2	13.5	10.9	8.9	7.4	J5C14D5-4-SF12-**
	0.125	6	100	18.4	14.4	11.0	8.8	7.2	5.8	J5C14B6-4-SF12-**
16	0.188	6	100	28.9	22.9	18.0	14.7	12.2	10.2	J5C14D6-4-SF12-**
	0.125	4	65	5.0	3.5	2.3	1.5	0.8	-	J5C16B4-4-SF12-**
	0.188	4	80	8.4	6.2	4.6	3.3	2.4	1.7	J5C16D4-4-SF12-**
	0.125	5	80	8.9	6.6	4.7	3.3	2.5	1.8	J5C16B5-4-SF12-**
	0.188	5	100	17.9	13.9	10.7	8.4	6.8	5.5	J5C16D5-4-SF12-**
	0.125	6	100	14.9	11.5	8.5	6.6	5.2	4.1	J5C16B6-4-SF12-**
18	0.188	6	100	24.0	18.9	14.6	11.8	9.6	7.9	J5C16D6-4-SF12-**
	0.125	4	75	3.2	2.0	1.1	-	-	-	J5C18B4-4-SF12-**
	0.188	4	60	6.4	4.6	3.2	2.1	1.3	0.7	J5C18D4-4-SF12-**
	0.125	5	50	6.9	4.9	3.2	2.0	1.3	0.8	J5C18B5-4-SF12-**
	0.188	5	100	14.3	10.9	8.1	6.2	4.8	3.8	J5C18D5-4-SF12-**
	0.125	6	100	11.6	8.8	6.1	4.6	3.5	2.6	J5C18B6-4-SF12-**
20	0.188	6	100	19.5	15.2	11.4	9.0	7.2	5.8	J5C18D6-4-SF12-**
	0.125	4	40	2.3	1.1	-	-	-	-	J5C20B4-4-SF12-**
	0.188	4	65	4.6	3.0	1.8	1.0	-	-	J5C20D4-4-SF12-**
	0.125	5	60	4.8	3.2	1.6	0.8	-	-	J5C20B5-4-SF12-**
	0.188	5	95	11.4	8.5	6.0	4.4	3.2	2.4	J5C20D5-4-SF12-**
	0.125	6	65	9.3	6.8	4.4	3.1	2.1	1.4	J5C20B6-4-SF12-**
25	0.188	6	100	15.8	12.1	8.8	6.8	5.3	4.1	J5C20D6-4-SF12-**
	0.250	6	100	29.1	22.9	17.7	14.3	11.6	9.6	J5C20F6-4-SF12-**
	0.188	4	50	1.3	-	-	-	-	-	J5C25D4-4-SF12-**
	0.125	5	85	0.7	-	-	-	-	-	J5C25B5-4-SF12-**
	0.188	5	45	6.3	4.2	2.3	1.1	-	-	J5C25D5-4-SF12-**
	0.125	6	55	4.3	2.6	0.7	-	-	-	J5C25B6-4-SF12-**
30	0.188	6	50	9.5	6.8	4.1	2.8	1.7	1.0	J5C25D6-4-SF12-**
	0.250	6	100	18.9	14.4	10.4	8.0	6.2	4.8	J5C25F6-4-SF12-**
	0.188	5	70	1.8	-	-	-	-	-	J5C30D5-4-SF12-**
	0.188	6	50	4.6	2.7	-	-	-	-	J5C30D6-4-SF12-**
35	0.250	6	65	12.1	8.8	5.5	3.7	2.5	1.5	J5C30F6-4-SF12-**
	0.250	6	40	6.9	4.5	1.6	-	-	-	J5C35F6-4-SF12-**
40	0.250	6	55	2.2	0.5	-	-	-	-	J5C40F6-4-SF12-**

EPA Notes: Effective Projected Area (EPA) in square feet. EPA's calculated using wind velocity (mph) indicated in accordance with 2015 AASHTO LRFD (7th Edition) using a 50-year design life. Maximum EPA is based on the luminaire weight shown. Increased luminaire weight may reduce maximum EPA. If weight is exceeded, or if other design life or code is required, please consult the factory.

*4-Bolt Base Anchorage shown. For direct buried design replace -4 in catalog number with -E.

Catalog Number System

The catalog number for Hapco poles utilizes the following identification system.



Catalog Number Example -

J5C 18 B 4 - 4 - SF12 - BA

JEFFERSON 15 Clamshell Base, 18' Mounting Height, .125" Wall Thickness, 4" Butt Diameter, 4-Bolt Base, Straight Fluted Shaft - 12-Flute, Black Powder Coat Finish

Wall Thickness B = .125"
Butt Dia. 4 = 4"
Anchorage 4 = 4-Bolt Base
 D = .188"
 5 = 5"
 E = Direct Buried
 F = .250"
 6 = 6"

Shaft Style
 SF12 = Straight Fluted - 12-Flute

Powder Coat Finish
 BA - Black Powder Coat
 BH - White Powder Coat
 BM - Dark Bronze Powder Coat
 BV - Dark Green Powder Coat
 GC - Gray Powder Coat
 SC - Special Colors*
*Provide RAL # or Sample Color Chip

Mounting Options

Tenon Mount
 For Tenon Mount applications specify both Tenon diameter and length.



Flute Options



CATALOG NUMBER:	QUANTITY:
CUSTOMER NAME:	
PROJECT:	LOCATION:
NOTES:	