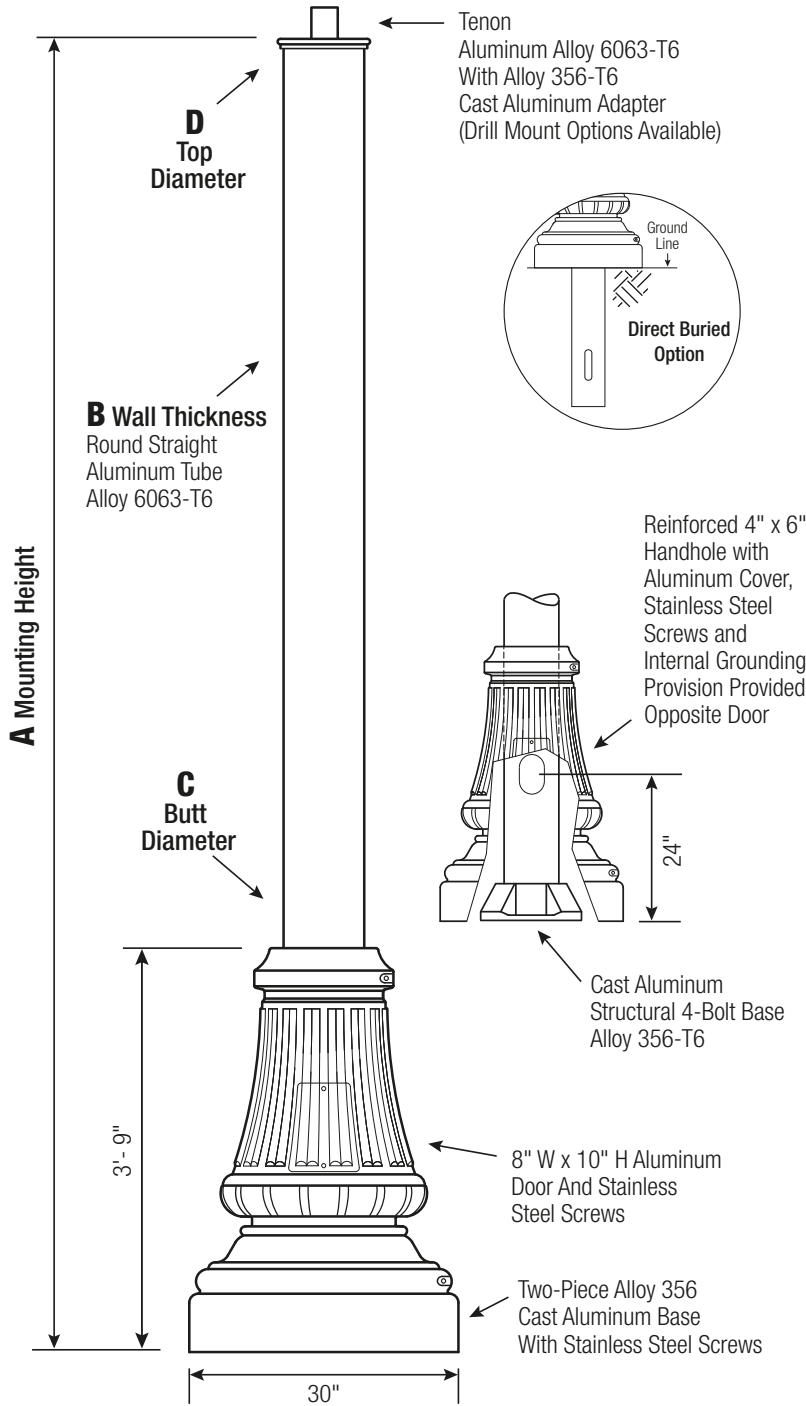


ARLEN 30

CLAMSHELL - STRAIGHT ROUND ALUMINUM POLE



Powder Coated Finish per Customer Specification.

C BUTT DIA.	D TOP DIA.	F BOLT CIR. DIA.	G BASE DIA.	H BOLT PROJ.	I BOLT SIZE
8	8	11 - 12	11.25	2.75	1 x 36 x 4
9	9	12.5 - 14	12.75	2.75	1 x 36 x 4
10 (Up To .250")	10	14 - 15	14	3.25	1 x 48 x 4
10 (.312")	10	14 - 15	14	3.25	1.25 x 48 x 6
12	12	16 - 18	17	3.75	1.25 x 48 x 6

Dimensions in Inches

Clamshell Base

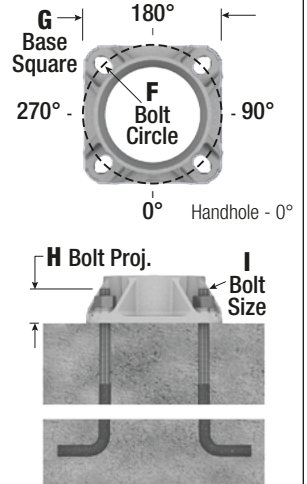
Cast Aluminum, 2-Piece Decorative Base of Alloy 356 per ASTM B26 or B108 with stainless steel attaching hardware.

Pole

The pole shaft will be constructed of seamless extruded tube of 6063 Aluminum Alloy per the requirements of ASTM B221. The 4-Bolt Cast Aluminum Base Flange will be of Alloy 356-T6. The pole shaft shall be joined to the base by means of a complete circumferential weld in accordance with AWS Specification D1.2. The shaft assembly shall be full-length heat treated after base weld to produce a T6 temper.

Anchorage

Anchorage Kit will include four (4) L-shaped Steel Anchor Bolts conforming to AASHTO M314-90 Grade 55. Ten inches (10") of threaded end will be galvanized per ASTM A153. Kits will contain four (4) Hex Nuts, four (4) Lock Washers, and four (4) Flat Washers (all components Galvanized Steel). A bolt circle template will be provided



NOTE: All ARLEN 30 pole options may be specified in designs utilizing Direct Buried anchorage.

Handhole

7"+ Butt Diameters - Reinforced, 4" x 6" curved Cast Aluminum Frame (Alloy 356-T6) with Aluminum Door and two (2) SS Hex Head Screws. Reinforced Frame will contain a tapped 3/8"-16NC Grounding Provision.

Vibration Damper

When determined necessary by Hapco, a Vibration Damper will be factory-installed inside the pole shaft. Customer specification of the damper is available.



WARNING: Do not install light pole without luminaire.

www.hapco.com



1 OF 2

ARLEN 30

CLAMSHELL STRAIGHT ROUND ALUMINUM POLE

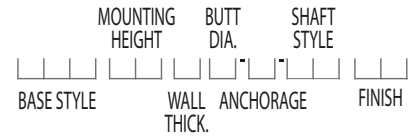
A MTG. HGT.	B WALL THICKNESS	C BUTT DIA.	TOTAL LUM. WEIGHT	MAXIMUM EPA						CATALOG NUMBER*
				90	100	110	120	130	140	
20	0.188	8	100	36.0	28.9	22.7	18.8	15.9	13.5	A3C20D8-4-SR-**-
	0.250	8	100	48.3	38.9	30.9	25.7	21.7	18.6	A3C20F8-4-SR-**-
	0.312	8	100	59.9	48.3	38.7	32.3	27.3	23.4	A3C20G8-4-SR-**-
25	0.188	8	100	25.0	19.9	15.0	12.3	10.2	8.6	A3C25D8-4-SR-**-
	0.250	8	100	34.2	27.4	21.1	17.5	14.7	12.5	A3C25F8-4-SR-**-
	0.312	8	100	42.9	34.5	27.0	22.4	18.9	16.1	A3C25G8-4-SR-**-
	0.188	9	100	33.9	27.1	21.0	17.3	14.5	12.0	A3C25D9-4-SR-**-
	0.250	9	100	45.8	36.8	29.0	24.1	20.3	16.9	A3C25F9-4-SR-**-
	0.188	10	100	44.0	34.9	27.8	22.9	18.9	15.7	A3C25D1-4-SR-**-
	0.250	10	100	59.1	47.2	37.9	31.4	26.1	21.9	A3C25F1-4-SR-**-
	0.312	10	100	73.6	58.9	47.6	39.6	33.1	27.9	A3C25G1-4-SR-**-
	0.188	12	100	65.7	52.2	42.2	34.6	28.7	24.0	A3C25D2-4-SR-**-
	0.250	12	100	85.0	67.8	55.2	45.5	38.0	32.0	A3C25F2-4-SR-**-
30	0.188	8	100	17.4	13.7	9.5	7.7	6.3	5.2	A3C30D8-4-SR-**-
	0.250	8	100	24.6	19.6	14.4	11.8	9.8	8.2	A3C30F8-4-SR-**-
	0.312	8	100	31.5	25.2	19.0	15.6	13.1	11.0	A3C30G8-4-SR-**-
	0.188	9	100	24.6	19.6	14.5	11.8	9.8	7.8	A3C30D9-4-SR-**-
	0.250	9	100	34.1	27.2	20.8	17.1	14.3	11.7	A3C30F9-4-SR-**-
	0.188	10	100	32.8	25.8	20.0	16.3	13.1	10.6	A3C30D1-4-SR-**-
	0.250	10	100	44.7	35.4	28.0	23.0	18.8	15.5	A3C30F1-4-SR-**-
	0.312	10	100	56.2	44.7	35.7	29.5	24.3	20.3	A3C30G1-4-SR-**-
	0.188	12	100	50.0	39.3	31.4	25.4	20.7	17.0	A3C30D2-4-SR-**-
	0.250	12	100	66.0	52.2	42.1	34.4	28.4	23.6	A3C30F2-4-SR-**-
35	0.188	8	100	11.7	9.1	5.4	4.2	3.3	2.5	A3C35D8-4-SR-**-
	0.250	8	100	17.6	13.8	9.3	7.5	6.1	5.0	A3C35F8-4-SR-**-
	0.312	8	100	23.1	18.3	13.1	10.6	8.7	7.3	A3C35G8-4-SR-**-
	0.188	9	100	17.8	14.0	9.6	7.7	6.2	4.6	A3C35D9-4-SR-**-
	0.250	9	100	25.5	20.2	14.7	12.0	9.9	7.8	A3C35F9-4-SR-**-
	0.188	10	100	24.7	19.1	14.2	11.4	8.8	6.8	A3C35D1-4-SR-**-
	0.250	10	100	34.4	26.9	20.8	16.9	13.5	10.8	A3C35F1-4-SR-**-
	0.312	10	100	43.8	34.5	27.0	22.1	18.0	14.7	A3C35G1-4-SR-**-
	0.188	12	100	38.8	30.0	23.6	18.6	14.8	11.8	A3C35D2-4-SR-**-
	0.250	12	100	52.6	41.2	32.8	26.4	21.4	17.4	A3C35F2-4-SR-**-
40	0.188	8	45	7.9	5.9	2.5	1.7	1.1	0.7	A3C40D8-4-SR-**-
	0.250	8	95	12.1	9.3	5.3	4.0	3.1	2.4	A3C40F8-4-SR-**-
	0.312	8	100	16.6	12.9	8.3	6.6	5.2	4.2	A3C40G8-4-SR-**-
	0.188	9	85	12.6	9.8	5.8	4.5	3.4	2.1	A3C40D9-4-SR-**-
	0.250	9	100	18.8	14.8	9.9	7.9	6.4	4.6	A3C40F9-4-SR-**-
	0.188	10	100	18.4	13.8	9.7	7.5	5.4	3.7	A3C40D1-4-SR-**-
	0.250	10	100	26.5	20.4	15.1	12.1	9.3	7.0	A3C40F1-4-SR-**-
	0.312	10	100	34.2	26.7	20.3	16.4	13.0	10.3	A3C40G1-4-SR-**-
	0.188	12	100	30.1	22.9	17.5	13.4	10.2	7.6	A3C40D2-4-SR-**-
	0.250	12	100	42.3	32.7	25.6	20.2	16.0	12.6	A3C40F2-4-SR-**-
0.312	12	100	42.6	33.0	25.8	20.4	16.1	12.8	A3C40G2-4-SR-**-	

EPA Notes: Effective Projected Area (EPA) in square feet. EPA's calculated using wind velocity (mph) indicated in accordance with 2015 AASHTO LRFD (7th Edition) using a 50-year design life. Maximum EPA is based on the luminaire weight shown. Increased luminaire weight may reduce maximum EPA. If weight is exceeded, or if other design life or code is required, please consult the factory.

*4-Bolt Base Anchorage shown. For direct buried design replace -4 in catalog number with -E.

Catalog Number System

The catalog number for Hapco poles utilizes the following identification system.



Catalog Number Example -

A3C 35 F 8 - 4 - SR - BA

ARLEN 30 Clamshell Base, 35' Mounting Height, .250" Wall Thickness, 8" Butt Diameter, 4-Bolt Base, Straight Round Shaft, Black Powder Coat Finish

Wall Thickness	Butt Dia.	Anchorage
D = .188"	8 = 8"	4 = 4-Bolt Base
F = .250"	9 = 9"	E = Direct Buried
G = .312"	1 = 10"	
	2 = 12"	

Shaft Style

SR = Straight Round

Powder Coat Finish

BA - Black Powder Coat	BV - Dark Green Powder Coat
BH - White Powder Coat	GC - Gray Powder Coat
BM - Dark Bronze Powder Coat	SC - Special Colors*

*Provide RAL # or Sample Color Chip

Mounting Options

Tenon Mount

For Tenon Mount applications specify both Tenon diameter and length.

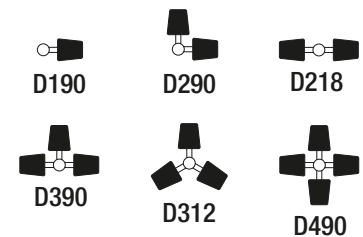


Side Drill Mount

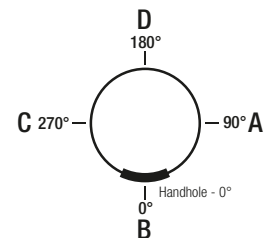
Includes removable pole cap. NOTE: A luminaire drilling template must be supplied at time of order.



Drill Mount Options



Pole Orientation



CATALOG NUMBER:	QUANTITY:
CUSTOMER NAME:	
PROJECT:	LOCATION:
NOTES:	