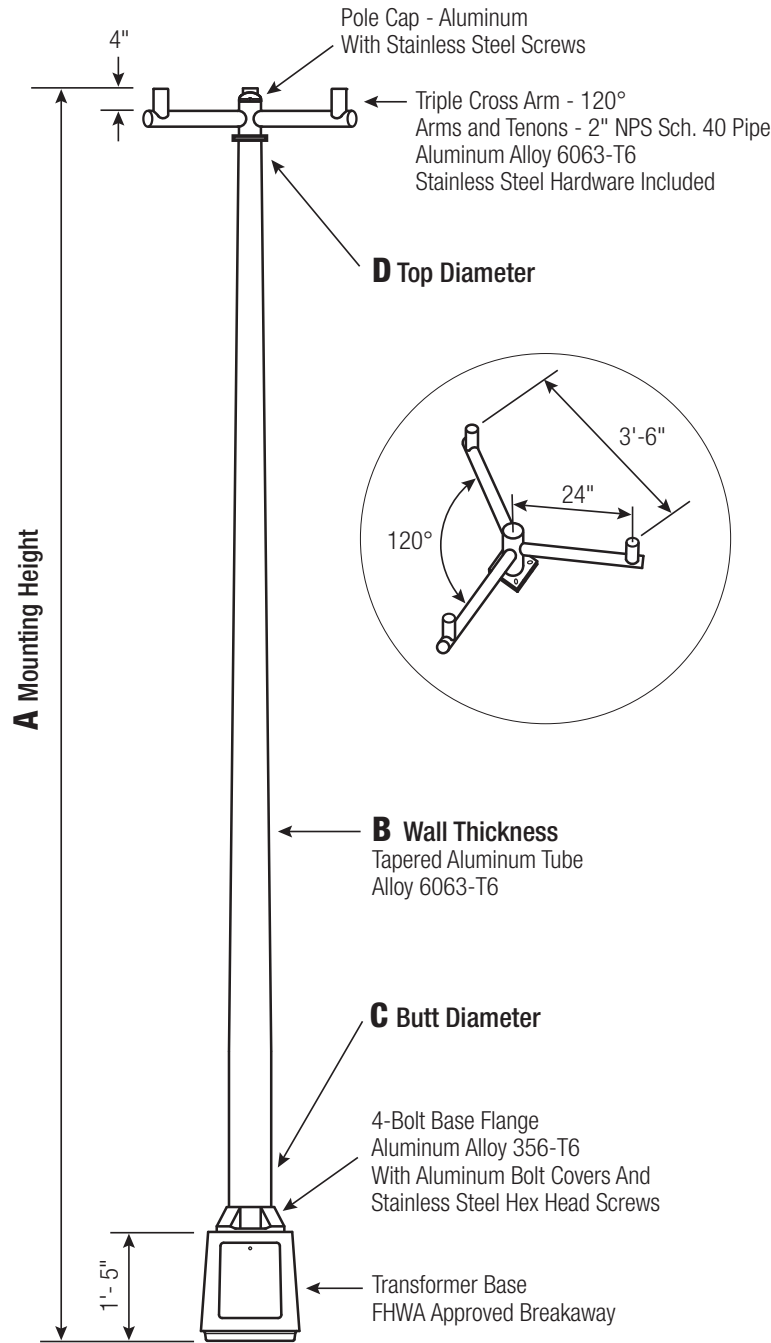


RTA

Round Tapered Aluminum Pole with Arms Triple Cross Arm 120° — Breakaway T-Base



Satin Aluminum or Powder Coated Finish per Customer Specification.

C BUTT DIA.	D TOP DIA.	F BOLT CIR. DIA.	G BASE SQ.	H BOLT PROJ.	I BOLT SIZE
7	4.5	12	13.0625	3.5	1 x 36 x 4
8	4.5	15	15.375	3.5	1 x 36 x 4
10	6	15	15.375	3.5	1 x 48 x 4

Dimensions in Inches

Pole

Shaft and arm will be constructed of seamless extruded tube of 6063 Aluminum Alloy per the requirements of ASTM B221. The shaft assembly shall be full-length heat treated after base weld to produce a T6 temper.

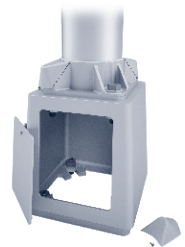
Base Style

Cast Aluminum Transformer Base (T-Base) of Alloy 356-T6 with Aluminum Door and Stainless Steel Hex Head Screw. FHWA Approved Breakaway.



Handhole

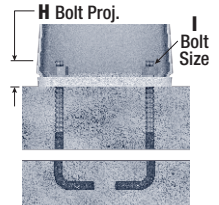
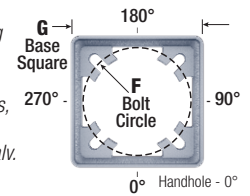
7"-10" Butt Diameters - Tapered Door Opening (9-3/4" W Base x 9-1/4" W Top x 11-3/4" H) with Flush Mount Aluminum Cover and Stainless Steel Hex Head Screw. Grounding Provisions tapped 1/4"-20NC and 1/2"-13NC are provided.



Anchorage

Base Anchorage includes four (4) L-shaped Steel Anchor Bolts conforming to AASHTO M314-90 Grade 55, four (4) each Heavy-Duty Flat Washers, Lock Washers, and Hex Nuts (all components Galv. Steel). Ten inches (10") of threaded end will be galvanized per ASTM A153.

Top Connecting Hardware includes four (4) each 1"-8NC x 3-3/4" Hex Head Bolts, Flat Washers, Heavy-Duty Flat Washers, Lock Washers, and Hex Nuts (all components Galv. Steel). A bolt circle template will be provided.



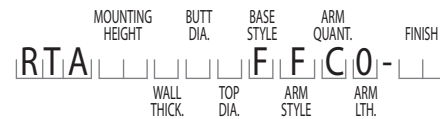
Vibration Damper

When determined necessary by Hapco, a Vibration Damper will be factory-installed inside the pole shaft. Customer specification of the damper is available.

A Mtg. Hgt.	B WALL THICKNESS	C BUTT DIAMETER	LUM. WEIGHT	MAXIMUM EPA PER TENON					CATALOG NUMBER
				90	100	110	120	130	
20	0.188"	7	50	6.6	5.0	4.4	3.6	2.8	RTA20D7BFFCO-**-
20	0.188"	8	85	9.2	7.2	6.6	5.2	4.2	RTA20D8BFFCO-**-
25	0.188"	7	30	4.2	3.0	2.6	2.0	1.4	RTA25D7BFFCO-**-
25	0.188"	8	45	6.4	4.8	4.2	3.4	2.6	RTA25D8BFFCO-**-
25	0.219"	8	60	7.6	5.8	5.2	4.2	3.4	RTA25E8BFFCO-**-
25	0.250"	8	75	9.0	6.8	6.2	5.0	4.0	RTA25F8BFFCO-**-
30	0.188"	7	30	2.4	1.6	1.2	-	-	RTA30D7BFFCO-**-
30	0.188"	8	30	4.2	3.0	2.6	2.0	1.4	RTA30D8BFFCO-**-
30	0.219"	8	35	5.4	3.8	3.4	2.6	2.0	RTA30E8BFFCO-**-
30	0.250"	8	45	6.4	4.8	4.2	3.2	2.6	RTA30F8BFFCO-**-
30	0.188"	10	70	8.4	6.4	6.0	4.8	3.8	RTA30D1CFFCO-**-
30	0.219"	10	90	10.2	7.8	7.2	5.8	4.8	RTA30E1CFFCO-**-
30	0.250"	10	100	12.0	9.4	8.6	7.0	5.6	RTA30F1CFFCO-**-
35	0.188"	8	30	2.6	1.6	1.4	-	-	RTA35D8BFFCO-**-
35	0.219"	8	30	3.6	2.4	2.0	1.4	-	RTA35E8BFFCO-**-
35	0.250"	8	30	4.4	3.2	2.8	2.0	1.4	RTA35F8BFFCO-**-
35	0.188"	10	45	6.2	4.6	4.2	3.2	2.6	RTA35D1CFFCO-**-
35	0.219"	10	60	7.6	5.8	5.4	4.2	3.2	RTA35E1CFFCO-**-
35	0.250"	10	75	9.0	7.0	6.4	5.0	4.0	RTA35F1CFFCO-**-
40	0.188"	8	30	1.4	-	-	-	-	RTA40D8BFFCO-**-
40	0.219"	8	25	2.2	1.2	-	-	-	RTA40E8BFFCO-**-
40	0.250"	8	35	2.8	1.8	1.4	-	-	RTA40F8BFFCO-**-
40	0.188"	10	35	4.4	3.2	2.8	2.0	1.4	RTA40D1CFFCO-**-
40	0.219"	10	35	5.6	4.2	3.8	2.8	2.2	RTA40E1CFFCO-**-
40	0.250"	10	50	6.8	5.2	4.6	3.6	2.8	RTA40F1CFFCO-**-
45	0.188"	10	25	3.0	2.0	1.8	1.2	-	RTA45D1CFFCO-**-
45	0.219"	10	25	4.0	2.8	2.6	1.8	1.2	RTA45E1CFFCO-**-
45	0.250"	10	30	5.2	3.8	3.4	2.6	1.8	RTA45F1CFFCO-**-

Catalog Number System

The catalog number for Hapco poles utilizes the following identification system.



Catalog Number Example -

RTA 30 D 8 B F F C 0 - 01

Round Tapered Aluminum, 30' Mounting Height, .188" Wall Thickness, 8" Butt Diameter, 4.5" Top Diameter, Breakaway T-Base, Cross Arm, Triple - 120°, Standard Arm Length, Satin Aluminum Finish.

Wall Thickness

- D = .188"
- E = .219"
- F = .250"

Butt Diameter

- 7 = 7"
- 8 = 8"
- 1 = 10"

Top Diameter

- B = 4.5"
- C = 6"

Base Style

F = Breakaway T-Base

Arm Style

F = Cross Arm

Arm Quantity

C = Triple - 120°

Arm Length

0 = Standard Length

Finish

- 01 = Satin Aluminum
- BA = Black Powder Coat
- BH = White Powder Coat
- BM = Dark Bronze Powder Coat
- BV = Dark Green Powder Coat
- GC = Gray Powder Coat
- ** = Specify Finish



EPA Notes:

Effective Projected Area (EPA) in square feet. EPA's calculated using wind velocity (mph) indicated in accordance with 2009 AASHTO LTS-5 using a 25 year design life. Maximum EPA is based on the luminaire weight shown. Increased luminaire weight may reduce the maximum EPA. If weight is exceeded, or if other design life or code is required, please consult the factory.