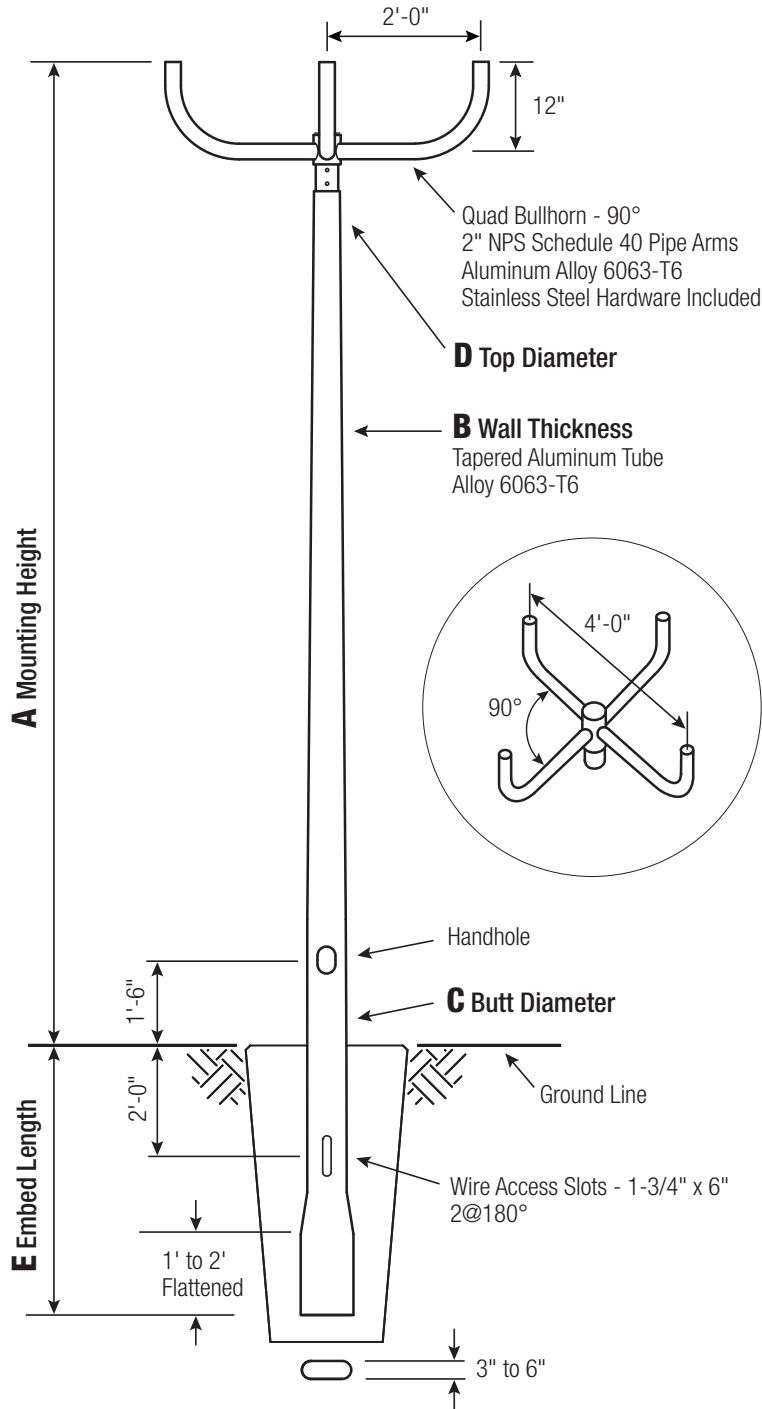


RTA

Round Tapered Aluminum Pole with Arms Quad Bullhorn 90° — Direct Buried



Satin Aluminum or Powder Coated Finish per Customer Specification.

C BUTT DIA.	D TOP DIA.	E EMBED
6	4.5	4'
7	4.5	5'
8	4.5	5'
10	6	6'

C and D Dimensions in Inches

Pole

Shaft and arm will be constructed of seamless extruded tube of 6063 Aluminum Alloy per the requirements of ASTM B221. The shaft assembly shall be full-length heat treated to produce a T6 temper.

Handhole

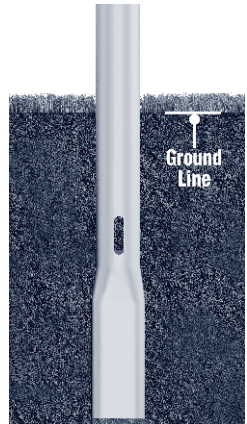
6" Butt Diameter - Reinforced, 3" x 5" curved Cast Aluminum Frame (Alloy 356-T6) with Aluminum Door and two (2) SS Hex Head Screws. A Grounding Provision incorporating a 3/8" diameter hole is provided opposite the Handhole.

7"+ Butt Diameters - Reinforced, 4" x 6" curved Cast Aluminum Frame (Alloy 356-T6) with Aluminum Door and two (2) SS Hex Head Screws. Reinforced Frame will contain a tapped 3/8"-16NC Grounding Provision.



Embed Detail

Direct Buried Pole bottom section on 6"+ butt diameter poles will be partially flattened into an anti-rotational, oval cross section. Wire access will be provided 24" below ground line. Soil conditions vary by site. Foundation requirements should be determined by a qualified Structural Engineer with knowledge of jobsite soil conditions.



Vibration Damper

When determined necessary by Hapco, a Vibration Damper will be factory-installed inside the pole shaft. Customer specification of the damper is available.

A Mtg. Hgt.	B WALL THICKNESS	C BUTT DIAMETER	LUM. WEIGHT	MAXIMUM EPA PER ARM					CATALOG NUMBER
				90	100	110	120	130	
20	0.156"	6	25	2.0	1.2	-	-	-	RTA20C6BEBDO-**
20	0.188"	6	35	2.8	1.8	1.6	-	-	RTA20D6BEBDO-**
20	0.156"	7	35	3.8	2.6	2.2	1.6	-	RTA20C7BEBDO-**
20	0.188"	7	25	5.2	3.6	3.2	2.4	1.8	RTA20D7BEBDO-**
20	0.188"	8	55	7.6	5.6	5.0	3.8	3.0	RTA20D8BEBDO-**
25	0.188"	6	25	1.2	-	-	-	-	RTA25D6BEBDO-**
25	0.156"	7	25	2.0	1.0	-	-	-	RTA25C7BEBDO-**
25	0.188"	7	35	3.0	1.8	1.6	-	-	RTA25D7BEBDO-**
25	0.156"	8	30	3.4	2.4	2.0	1.4	-	RTA25C8BEBDO-**
25	0.188"	8	35	4.8	3.4	3.0	2.2	1.6	RTA25D8BEBDO-**
25	0.219"	8	35	6.2	4.4	4.0	3.0	2.2	RTA25E8BEBDO-**
25	0.250"	8	50	7.2	5.4	4.8	3.6	2.8	RTA25F8BEBDO-**
30	0.188"	7	30	1.4	-	-	-	-	RTA30D7BEBDO-**
30	0.156"	8	25	2.0	1.0	-	-	-	RTA30C8BEBDO-**
30	0.188"	8	35	3.0	1.8	1.6	-	-	RTA30D8BEBDO-**
30	0.219"	8	35	4.0	2.6	2.4	1.6	-	RTA30E8BEBDO-**
30	0.250"	8	35	5.0	3.4	3.0	2.2	1.6	RTA30F8BEBDO-**
30	0.188"	10	45	6.8	5.0	4.6	3.4	2.6	RTA30D1CEBDO-**
30	0.219"	10	60	8.4	6.4	5.8	4.4	3.4	RTA30E1CEBDO-**
30	0.250"	10	80	9.8	7.6	6.8	5.4	4.2	RTA30F1CEBDO-**
35	0.188"	8	35	1.4	-	-	-	-	RTA35D8BEBDO-**
35	0.219"	8	25	2.4	1.4	1.2	-	-	RTA35E8BEBDO-**
35	0.250"	8	40	3.2	2.0	1.6	-	-	RTA35F8BEBDO-**
35	0.188"	10	35	4.8	3.4	3.0	2.2	1.4	RTA35D1CEBDO-**
35	0.219"	10	35	6.2	4.4	4.0	3.0	2.2	RTA35E1CEBDO-**
35	0.250"	10	50	7.4	5.4	5.0	3.8	2.8	RTA35F1CEBDO-**
40	0.219"	8	25	1.2	-	-	-	-	RTA40E8BEBDO-**
40	0.250"	8	40	1.8	-	-	-	-	RTA40F8BEBDO-**
40	0.188"	10	25	3.2	2.2	1.8	1.2	-	RTA40D1CEBDO-**
40	0.219"	10	25	4.4	3.0	2.8	1.8	1.2	RTA40E1CEBDO-**
40	0.250"	10	25	5.6	4.0	3.6	2.6	1.8	RTA40F1CEBDO-**
40	0.312"	10	50	7.6	5.6	5.0	3.8	3.0	RTA40G1CEBDO-**

Catalog Number System

The catalog number for Hapco poles utilizes the following identification system.



Catalog Number Example -

RTA 30 D 8 B E B D 0 - 01

Round Tapered Aluminum, 30' Mounting Height, .188" Wall Thickness, 8" Butt Diameter, 4.5" Top Diameter, Direct Buried, Bullhorn Arm, Quad - 90°, Standard Arm Length, Satin Aluminum Finish.

Wall Thickness

- C = .156"
- D = .188"
- E = .219"
- F = .250"
- G = .312"

Butt Diameter

- 6 = 6"
- 7 = 7"
- 8 = 8"
- 1 = 10"

Top Diameter

- B = 4.5"
- C = 6"

Base Style

- E = Direct Buried

Arm Style

- B = Bullhorn Arm

Arm Quantity

- D = Quad - 90°

Arm Length

- 0 = Standard Length

Finish

- 01 = Satin Aluminum
- BA = Black Powder Coat
- BH = White Powder Coat
- BM = Dark Bronze Powder Coat
- BV = Dark Green Powder Coat
- GC = Gray Powder Coat
- ** = Specify Finish



EPA Notes:

Effective Projected Area (EPA) in square feet. EPA's calculated using wind velocity (mph) indicated in accordance with 2009 AASHTO LTS-5 using a 25 year design life. Maximum EPA is based on the luminaire weight shown. Increased luminaire weight may reduce the maximum EPA. If weight is exceeded, or if other design life or code is required, please consult the factory.