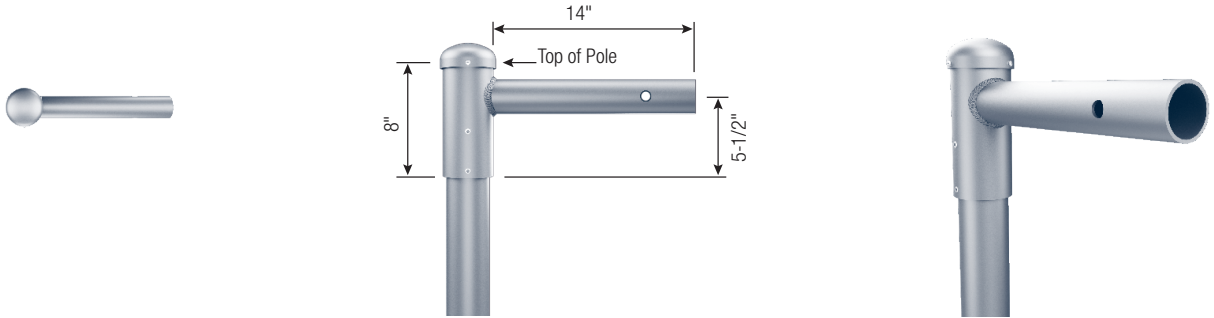
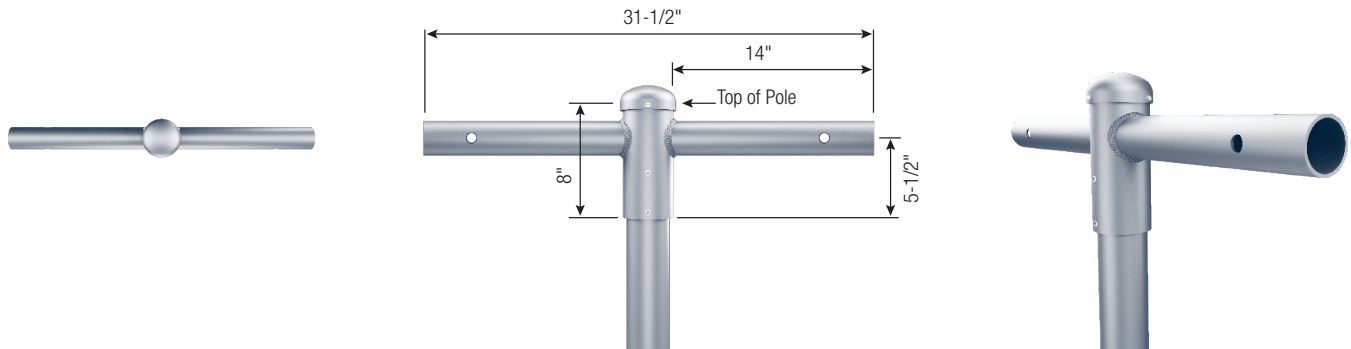


# Aluminum Spoke Arms

Aluminum Spoke Arms are engineered and manufactured of Aluminum Alloy 6063 components and are heat-treated after weld to a T6 temper. Stainless Steel Mounting Hardware is included. Standard Spoke Arms are constructed of 2" NPS (2-3/8" O.D.) Schedule 40 Pipe. Center Hub is constructed of 3" NPS (3-1/2" O.D.) Schedule 40 Pipe. Custom designs including varying Pipe Arm diameters, Arm dimensions, and Center Hub sizes to accommodate varying Tenons are available. Please contact Hapco for more information.

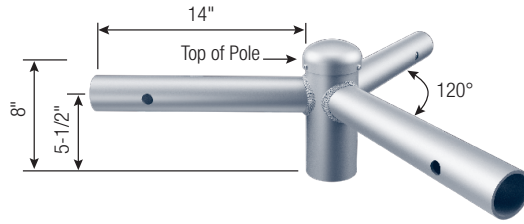


**38741**  
Single Spoke Arm



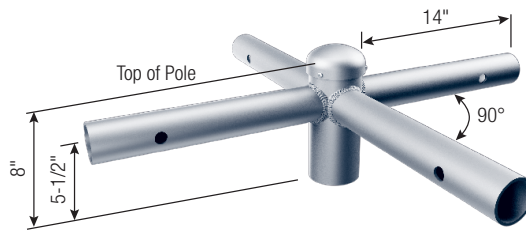
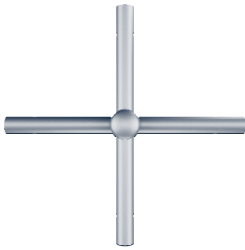
**38742**  
Double Spoke Arm - 180°

# Aluminum Spoke Arms



**38743**

Triple Spoke Arm - 120°



**38744**

Quad Spoke Arm - 90°

CATALOG NUMBER	DESCRIPTION	PIPE ARM DIAMETER	USE WITH TENON SIZE	BRACKET EPA
38741	Single Spoke Arm	2" NPS (2 3/8" O.D.)	2.5" NPS (2.875" O.D.)	0.57 ft <sup>2</sup>
38742	Double Spoke Arm - 180°	2" NPS (2 3/8" O.D.)	2.5" NPS (2.875" O.D.)	0.97 ft <sup>2</sup>
38743	Triple Spoke Arm - 120°	2" NPS (2 3/8" O.D.)	2.5" NPS (2.875" O.D.)	1.1 ft <sup>2</sup> (Shielded)
38744	Quad Spoke Arm - 90°	2" NPS (2 3/8" O.D.)	2.5" NPS (2.875" O.D.)	1.45 ft <sup>2</sup> (Shielded)