



# Hapco Solar Pole

SOLAR TODAY. BRIGHTER TOMORROW.™

## SLR3

Triple Module Solar Pole

330Wp · 1250Wh



Superior Aesthetics



Advanced Solar Technology



Highest-Performing  
Lithium NMC Batteries



4G Connectivity



Year Round, Autonomous Lighting



Easy, Plug-and-Play Installation



Smart City Device Ready



Low Total Cost of Ownership



5-Year Remote Monitoring



Full 5-Year Warranty  
(No Pro-Rating)

**A COMPLETELY ENGINEERED  
SOLAR POLE SYSTEM**



### Fixture Independent

The SLR3 Solar Pole is designed to work with the majority of the industry's post top and arm mounted LED luminaires.

### Monocrystalline Solar Panels

Unparalleled efficiency. Four (4) maximum power point trackers per module.

### Aerodynamic Design

Unmatched EPA and Wind Load ratings. Maintenance-free.

### Wireless Connectivity – Remote Monitoring

Track system parameters and historical data online. Automatic over-the-air software updates.

### Aluminum Pole

The strongest, most reliable light pole in the market featuring Proven Performance and a Lifetime Warranty.

### Solar Control Unit

The battery, driver, controller, and solar optimized remote driver are designed into a single unit, safely secured inside the pole at ground level.



<b>CUSTOMER NAME:</b>	
<b>PROJECT:</b>	<b>LOCATION:</b>
<b>NOTES:</b>	

## SLR3 | Triple Module Solar Pole

330Wp · 1250Wh



### Pole Specification

**Material:** 6063 Aluminum Alloy, Heat Treated After Weld  
**Mounting Height:** 24', 26', 28'  
**Shaft/Top Dia.:** 8"/4.5"  
**Wall Thickness:** .188"  
**Access Door:** Flush, Locking Handhole with Key  
**Anchorage Options:** Anchorage Base or Direct Buried  
**Fixture Mounting:** Tenon Mount (2-3/8" O.D. x 4")

### Solar Module Specification

**Technology:** Monocrystalline Silicon Solar Cells  
**Cell Efficiency:** >24%  
**Module Dimensions:** 7.875" Dia. x 43.312" Tall  
**Service Life:** >25 Years  
**Backsheet Color Options:** White and Black  
**Number of Modules:** 3  
**Total Power:** ~330 Wp  
**Max. Power Point Tracking Channels:** 4 / Module  
**Weight:** ~15.5 lbs. / Module  
**Material:** Borosilicate Glass — IK-07 Impact Rating

### Battery Specifications

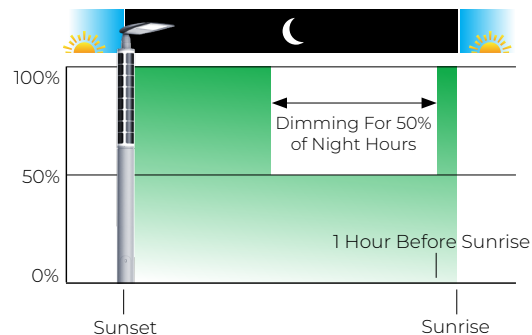
**Technology:** Lithium NMC  
**Capacity:** 1250 Wh  
**Service Life:** >10 Years  
**Location:** Inside Pole Shaft Opposite Access Door  
**Charge Efficiency:** 99.5%  
**Temperature Range:** -4°F to 140°F

### Control Electronics Specifications

**Mobile Comm.:** GSM/LTE-M  
**Encryption:** TLS 1.2  
**GNSS:** GPS, BeiDou, GALILEO, FLONASS, QZSS  
**Cable Update:** USB Programmable  
**Remote Update:** Yes  
**Remote Monitoring:** Yes  
**Time and Date:** Astronomical Clock  
**Service Life:** >10 Years

### Dimming

**Dynamic Dimming:** Algorithmically Optimized Light Output  
**Default (D1):** 100%/50%/100%



**Custom:** Fully Customizable Profiles Can Be Specified To Meet Building Efficiency Codes

### Warranty

**Warranties:** All Warranties Are 100% (Not Pro-Rated)  
**Battery:** 5 Years  
**Solar Components:** 5 Years  
**Pole:** Lifetime Warranty (Excluding Finish)

### Remote Monitoring

**Monitoring:** 5 Years

### Options

**Hybrid (HYB)** Grid Powered Battery Backup  
**Motion Sensor (MOT)** Occupancy Awareness  
**Extended Monitoring (M10)** 10 Years (From Std. 5)

SLR3 - [ ] - 1250 - [ ] - D - [ ] - [ ] - [ ]

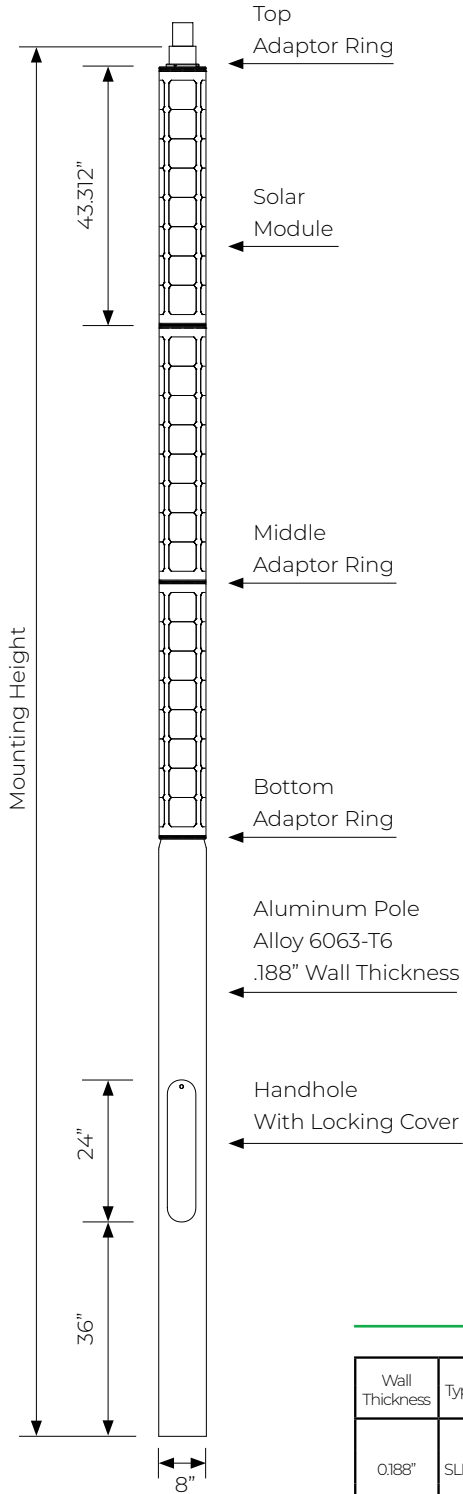
HAPCO SOLAR POLE	MODULE COLOR	BATTERY	MOUNTING HEIGHT	WALL THICKNESS	ANCHORAGE	POLE FINISH	OPTIONS
SLR3 = Triple Module	B = Black W = White	1250 = 1250WH	20 = 20' 22 = 22' 24 = 24'	D = 0.188"	4 = 4-Bolt Base E = Direct Buried	O1 = Satin BA = Black Powder Coat	HYB = Hybrid Grid/Solar MOT = Motion Sensor M10 = 10 Year Monitoring <i>*Add all that apply. Ex. HYB-MOT-M10</i>



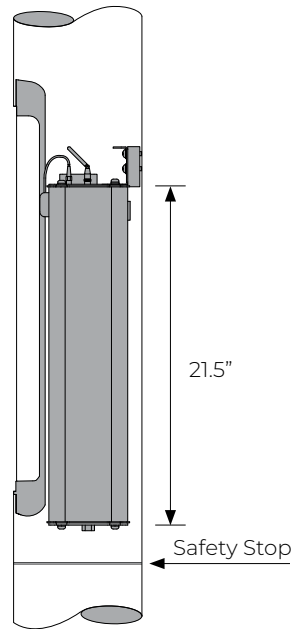
# SLR3

## Triple Module Solar Pole

330Wp · 1250Wh

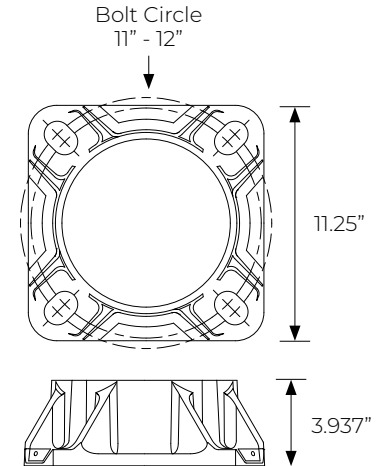


### Solar Control Unit



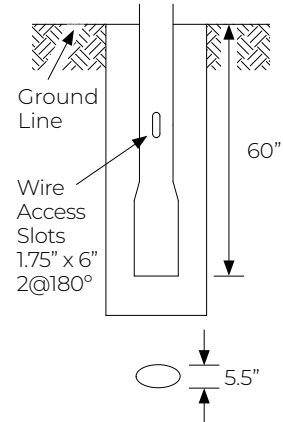
### Anchorage Options

#### 4-Bolt Base



4-Bolt Cast Aluminum Base Flange of Alloy 356-T6 with Aluminum Bolt Covers (Alloy 356-F), Stainless Steel Hex Head Attaching Screws, and Four (4) 1" x 36" x 4" Steel Anchor Bolts Conforming to AASHTO M314-90.

#### Direct Buried



Direct Buried Pole bottom section will be partially flattened into an anti-rotational, oval cross section.

Wall Thickness	Type	Mounting Height	90 MPH		150 MPH	
			Weight (lbs)	EPA (ft <sup>2</sup> )	Weight (lbs)	EPA (ft <sup>2</sup> )
0.188"	SLR3	20'	250	14.0	100	4.0
		22'	225	11.5	80	3.0
		24'	180	9.5	80	2.2

#### EPA Notes:

EPAs and weights shown are calculated in accordance with AASHTO LTS-6 using a 50 year design life. The maximum EPA is based on the paired weight shown. Increased weight may reduce the maximum EPA. If weight is exceeded, or if other design codes are required, please consult the factory. For direct buried applications, soil conditions may affect the maximum EPA. Hapco accepts no responsibility in the determination of local soil conditions.

# **SOLAR TODAY. BRIGHTER TOMORROW.™**



26252 Hillman Highway  
Abingdon, VA 24210