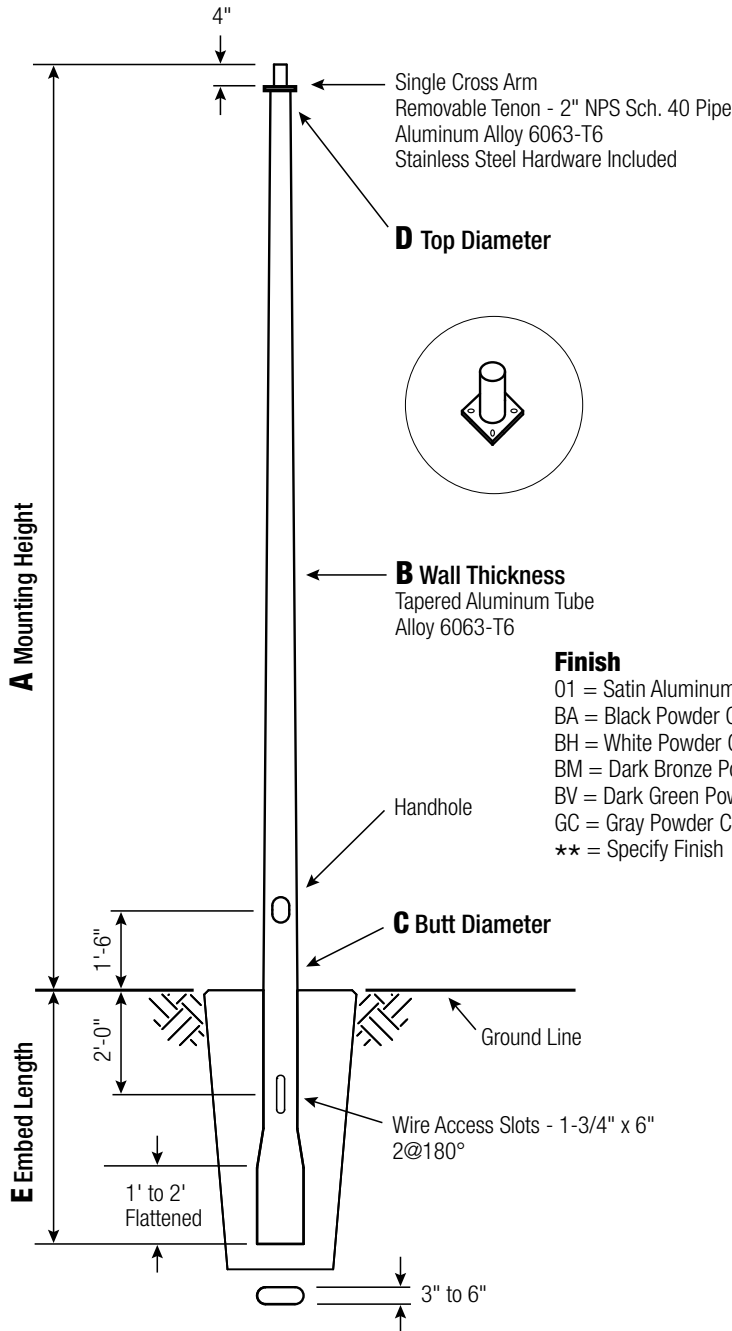


# RTA

## Round Tapered Aluminum Pole with Arms Single Cross Arm — Direct Buried



### WARNING:

Do not install light pole without luminaire.

Satin Aluminum or Powder Coated Finish per Customer Specification.

| A<br>Mtg.<br>Hgt. | B<br>Wall<br>Thickness | C<br>Butt<br>Diameter | TOTAL LUM.<br>WEIGHT | MAXIMUM EPA |      |     |     |     | CATALOG NUMBER  |
|-------------------|------------------------|-----------------------|----------------------|-------------|------|-----|-----|-----|-----------------|
|                   |                        |                       |                      | 90          | 100  | 110 | 120 | 130 |                 |
| 30                | 0.188"                 | 7                     | 100                  | 13.4        | 10.0 | 9.0 | 7.2 | 5.8 | RTA30D7BEF10-** |

| C<br>BUTT DIA. | D<br>TOP DIA. | E<br>EMBED |
|----------------|---------------|------------|
| 7              | 4.5           | 5'         |

C and D Dimensions in Inches

### CUSTOMER NAME:

PROJECT:

LOCATION:

NOTES:

QUANTITY:

# RTA30D7BEF10

CATALOG NUMBER

FINISH

### Pole

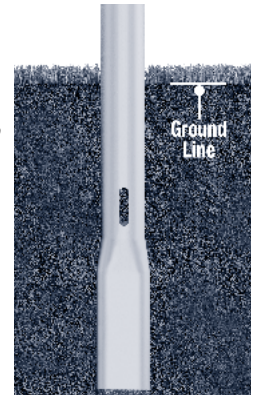
The pole shaft will be constructed of seamless extruded tube of 6063 Aluminum Alloy per the requirements of ASTM B221. The shaft assembly shall be full-length heat treated to produce a T6 temper.

### Handhole

Reinforced, 4" x 6" curved Cast Aluminum Frame (Alloy 356-T6) with Aluminum Door and two (2) SS Hex Head Screws. Reinforced Frame will contain a tapped 3/8"-16NC Grounding Provision.

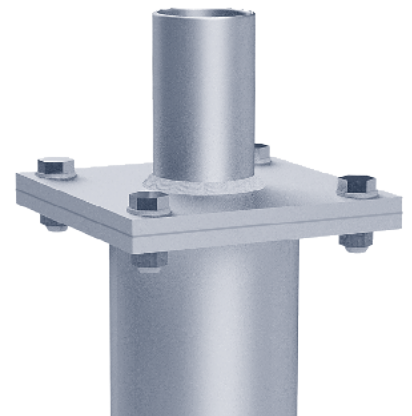
### Embed Detail

Direct Buried Pole bottom section on 6"+ butt diameter poles will be partially flattened into an anti-rotational, oval cross section. Wire access will be provided 24" below ground line. Soil conditions vary by site. Foundation requirements should be determined by a qualified Structural Engineer with knowledge of jobsite soil conditions.



### Vibration Damper

When determined necessary by Hapco, a Vibration Damper will be factory-installed inside the pole shaft. Customer specification of the damper is available.



**EPA Notes:** Effective Projected Area (EPA) in square feet. EPA's calculated using wind velocity (mph) indicated in accordance with 2009 AASHTO LTS-5 using a 25 year design life. Maximum EPA is based on the luminaire weight shown. Increased luminaire weight may reduce the maximum EPA. If weight is exceeded, or if other design life or code is required, please consult the factory.



26252 Hillman Highway  
Abingdon, VA 24210  
800.368.7171  
www.hapco.com