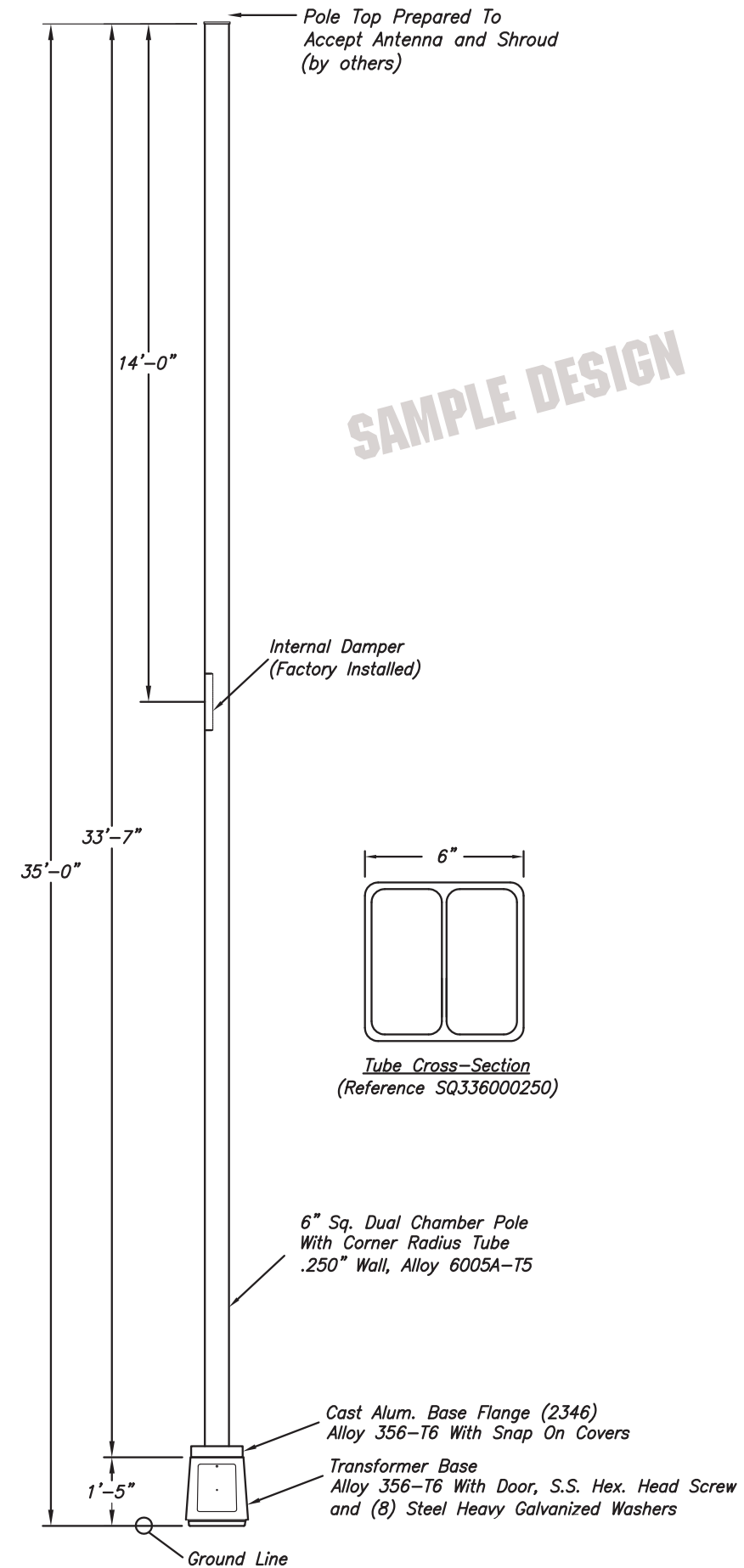
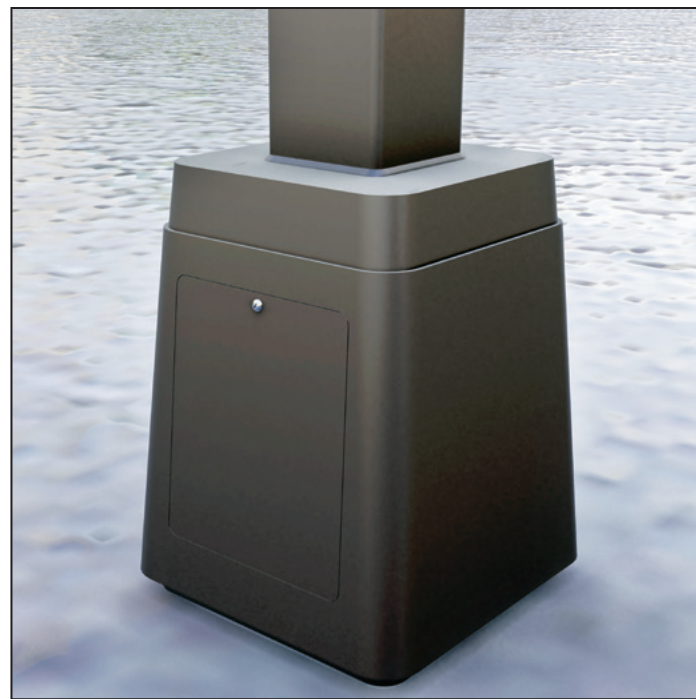


## Dual-Chamber Square - 6" Straight



## Dual-Chamber Square

Shaft Design: Dual-Chamber - Square 6" Straight

Shaft Material: Aluminum Alloy 6005-T5

Wall Thickness: .250"

Base Design: T-Base

Base Material: Aluminum Alloy 356

Butt Square: 6"

Mounting Height: 35'

Anchorage: 4-Bolt T-Base

